

FR GUIDE D'UTILISATION  
ES MANUAL DE UTILIZACIÓN  
EN GUIDE TO INSTALLATION  
DE BETRIEBSANLEITUNG  
PT GUIA DE UTILIZAÇÃO

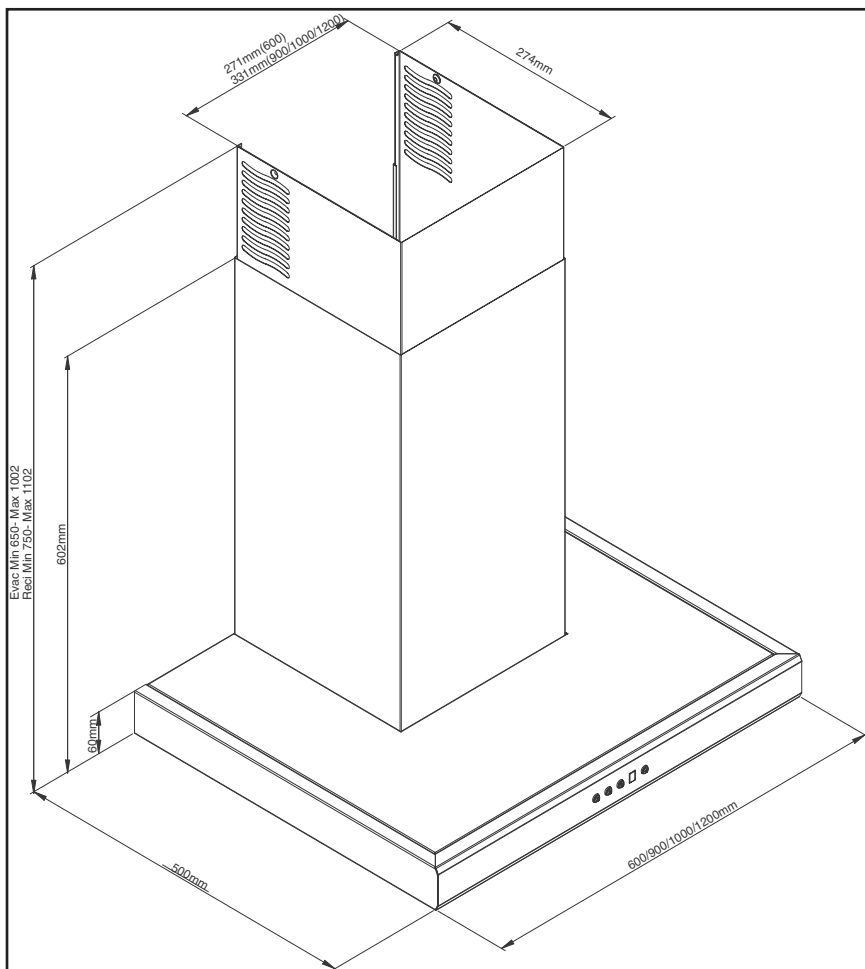
Hotte décorative  
Campana extractora decorativa  
Decorative Hood  
Dekor-Dunstabzugshaube  
Exaustor decorativo

**De Dietrich** 



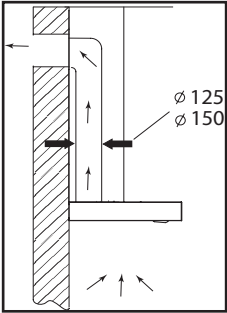


# 0.1

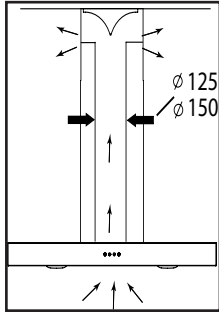




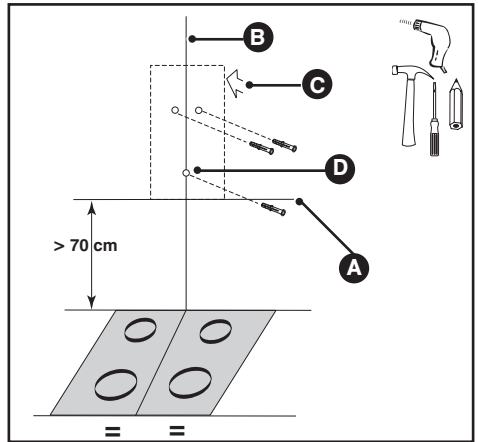
1.1



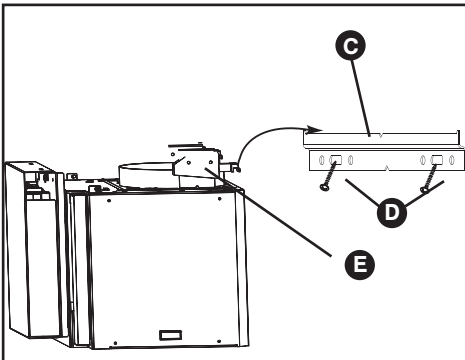
1.2



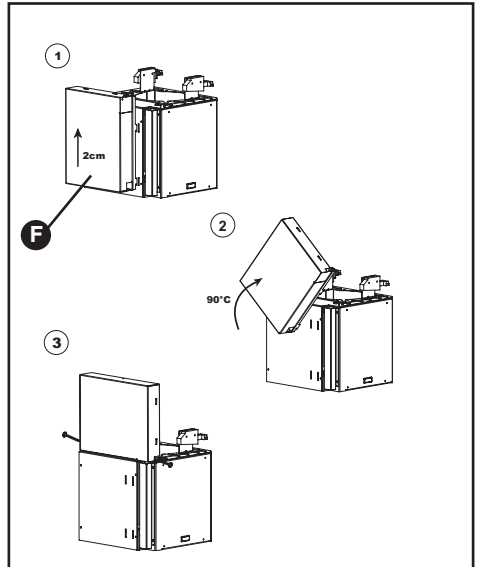
1.3



1.3.1

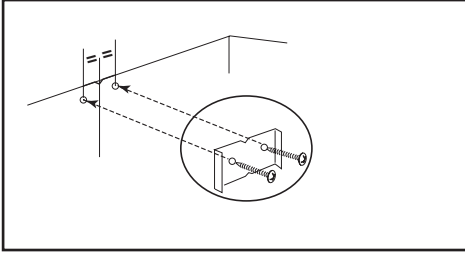


1.3.2

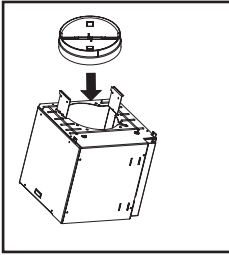


# 1.4

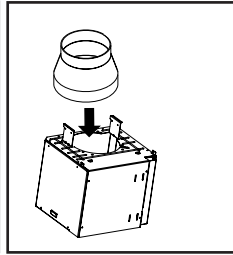
## 1.4.1



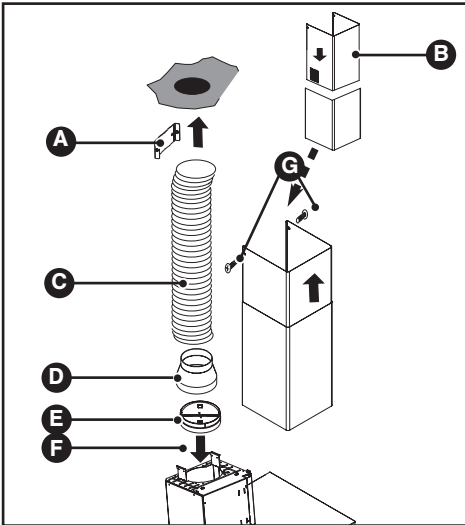
## 1.4.2



## 1.4.3



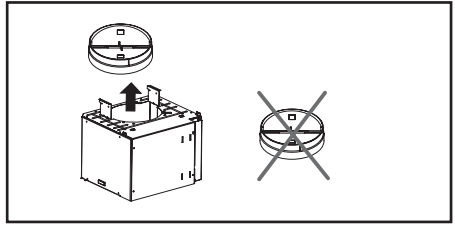
## 1.4.4



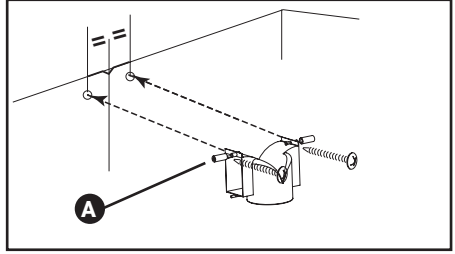
# 1.5

III

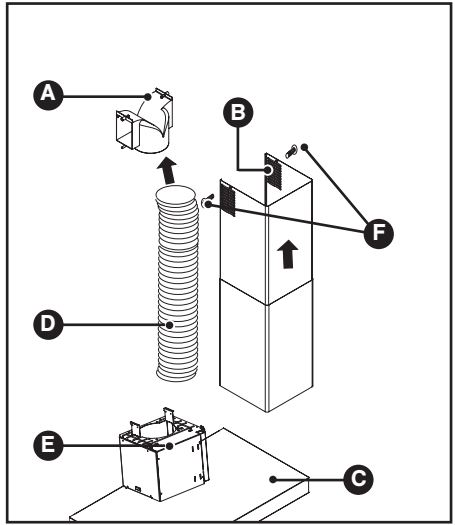
## 1.5.1



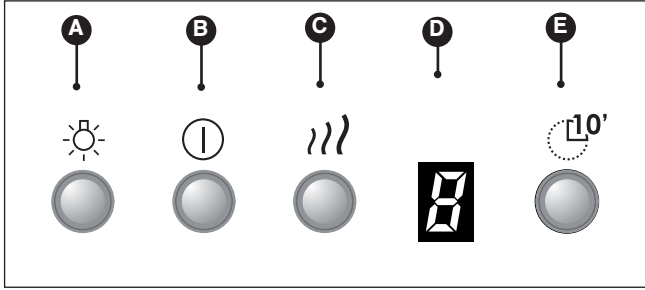
## 1.5.2



## 1.5.3



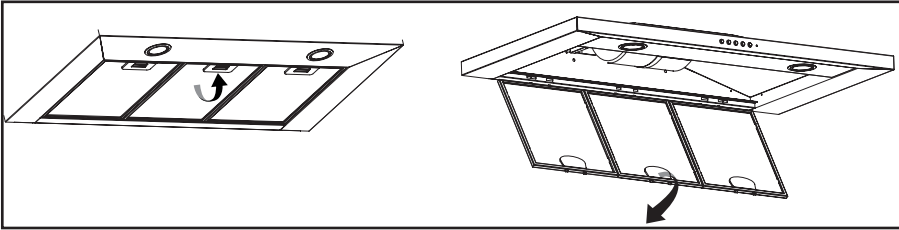
2



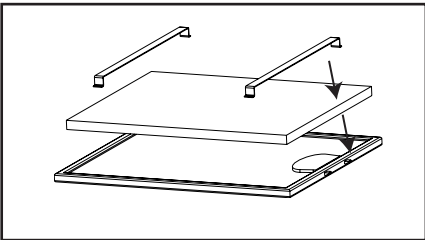
3



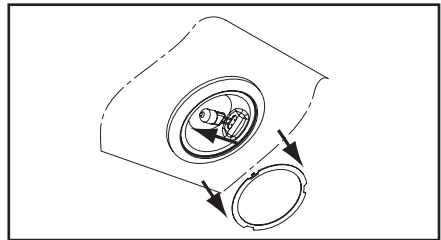
3.1

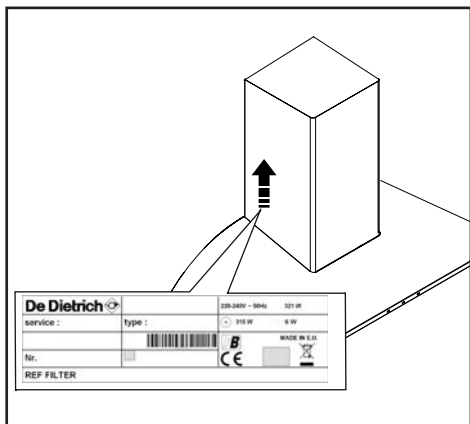
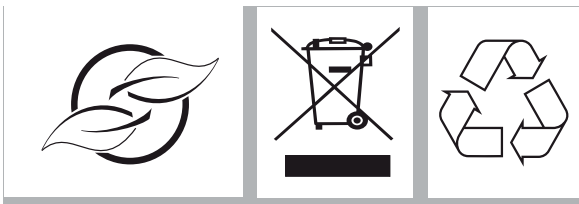


3.2



3.3





*Dear Customer,*

*When you discover De Dietrich products you experience the same feelings that only objects of value can arouse.*

*You are immediately attracted as soon as you see them. The quality of the design is illustrated by its timelessness, degree of refinement and elegance, and high standard of finish, resulting in perfect harmony between different appliances.*

*Then comes the irresistible urge to touch. De Dietrich design makes the most of sturdy and high-quality materials; priority is given to authenticity.*

*By combining the most advanced technologies with the best materials, De Dietrich makes products of the highest quality for the benefit of all those who love cooking.*

*We hope you are extremely satisfied with this new appliance and will be happy to receive your suggestions and to answer your questions. Please contact our customer service department or use our Internet site.*

*We invite you to register your product at [www.de-dietrich.com](http://www.de-dietrich.com) to take advantage of all the benefits the brand has to offer.*

*Thanking you for your confidence.*

*De Dietrich*

*Find further details on the brand at [www.de-dietrich.com](http://www.de-dietrich.com)  
Visit La Galerie De Dietrich, 6 rue de la Pépinière in Paris VIII  
Open Tuesday to Saturday 10 a.m. to 7 p.m.*

*De Dietrich Customer Service 0892 02 88 04*

## Safety and important precautions



These instructions are also available on the web site.

Please take heed of this advice when installing and using your appliance. These instructions are intended to protect your safety and the safety of others. Keep this manual with your appliance. If you sell or give the appliance to anyone else, make sure that you also give them this manual.

- In order to constantly improve our products, we reserve the right to make changes to their technical, functional or aesthetic characteristics in line with technological progress.
- Make a note of the references of your appliance on the "Consumer Service" page so that you can readily find them in future.

### Important precautions

- This appliance is designed for use by consumers in the home. Do not use it for commercial or industrial purposes or for any other purpose for which it is not intended.
- This appliance is designed for use by consumers in the home. Do not use it for commercial or industrial purposes or for any other purpose for which it is not intended.
- This appliance can be used by children aged under 8 and by persons with diminished physical, sensory or mental capacities, or persons without any experience or knowledge, provided that they are properly attended to or are given the instructions on how to use the appliance in complete safety and that any potential risks are anticipated. Children must not play with this appliance. The appliance must not be cleaned and maintained by unattended children.
- Caution: The accessible parts of this appliance may become hot when used with cooking equipment.

### Electrical risks

- All the power supply circuits must be disconnected before touching the connection terminals. If the power cord is damaged, it must be replaced by the manufacturer, its after-sales service or a similarly qualified person in order to avoid any danger..
- The appliance can be disconnected by using an accessible power outlet or by incorporating a switch in the fixed lines, in accordance with the installation rules.



- Do not change or attempt to change the characteristics of this appliance. Doing so can be dangerous.
- The appliance must only be repaired by an approved specialist.
- Always disconnect the hood before cleaning or maintaining it.
- Never use steam or high-pressure tools to clean your appliance (for the purposes of electrical safety).

### **Risk of asphyxiation**

- The regulations applying to the evacuation of air must be obeyed. The air must not be sent into a duct used to evacuate fumes from appliances that use gas or other fuels (this does not apply to appliances that only emit air into the room).
- The room must be suitably ventilated when the range hood is used at the same time as appliances that use gas or other fuels (this does not apply to appliances that only emit air into the room).

### **Risk of fire**

- It is forbidden to flambé food or to turn on gas rings that are not covered by a cooking recipient beneath the hood, as the flames may be sucked in and damage the appliance.
- Keep a constant eye on fryers used beneath the hood. When heated to very high temperatures, oil and fat can catch fire.
- Clean the appliance and replace the filters at the recommended frequency. Accumulated deposits of grease can cause a fire.
- It is forbidden to use the hood above a fuel fire (wood, coal, etc.).
- If the hood is installed above a gas-fired appliance, leave at least 70 cm between the top of the range and the underside of the hood. If the instructions of the range installed under the hood specify a distance greater than 70 cm, then this distance must be respected.



## Identification



0.1



### ELECTRICAL CONNECTIONS

During installation and maintenance operations, the appliance must be unplugged from the electrical grid; fuses must be cut off or removed.

The electrical connections are made before the appliance is installed in its housing.

Ensure that:

- the electrical installation has sufficient voltage,
- the electrical wires are in good condition,
- the diameter of the wires complies with the installation requirements.

This appliance is delivered with a H 05 VVF power cord that has three-0.75 mm<sup>2</sup> conductors (neutral, phase and ground). It must be connected to the main power supply (which should be a 220-240 V single phase current) via a CEI 60083 standardised socket that should remain accessible after installation, in keeping with installation guidelines.

We cannot be held responsible for any accident resulting from an inexistent, defective or incorrect ground lead. The fuse for your installation must be 10 or 16A. If the power cable is damaged, call the after-sales service department in order to avoid danger.

If the electrical installation at your residence requires any changes in order to hook up your appliance, call upon a professional electrician.

If the hood displays any malfunctions, unplug the appliance or remove the fuse corresponding to the electrical socket where your appliance is plugged in.

The hood must be installed in compliance with all applicable regulations concerning the ventilation of premises. In France these regulations are described in DTU 61.1 from the CSTB. In particular, the evacuated air should never be conveyed to a duct used to evacuate smoke from appliances that use gas or other combustible fuels. Unused ducts may be used after approval from a competent specialist.

The accessible parts of this appliance may become hot if it is used with a cooking appliance.

### 1.1 USING THE EVACUATION MODE

If you possess an outlet to the exterior

Your hood can be connected to this outlet using a flue (minimum diameter Ø mm that is enamelled, in aluminium, flexible or made of inflammable material). If your flue is less than 125 mm in diameter, **you must use the recycling mode.**

### 1.2 USING THE RECYCLING MODE

If you do not possess an outlet to the exterior

All of our appliances can be used in recycling mode. In this case, you should add an active carbon filter which will keep in odours.



#### **Advice on how to save energy**

***To make optimal use of your appliance, keep the length of the duct and the number of bends in the duct to a strict minimum.***

### 1.3 ASSEMBLING THE HOOD

The minimum distance between the cooking surface and the lowest part of the hood must be 70 cm. If the instructions for the hob installed under the hood specify a distance of more than 70 cm, this requirement must be respected.

- Draw a horizontal line 70 cm minimum from the cook top (A).
  - Draw a vertical line (B) on the wall that is centred over the cook top and that extends from the horizontal line drawn in the previous step (A) to the ceiling.
  - Cut the drilling template by following the dotted lines to obtain two parts, C1 and C2.
  - Place the C2 template (fig. 1) on the wall, superimposing the line that represents the hood's axis over vertical line B drawn in a previous step.
  - Place the C1 template against the wall flush with the ceiling.
  - Drill the six holes. Insert the 6 wall plugs.
  - Screw the two screws from the top of the hood (D1.3.1) by leaving 5 mm.
  - Hang the hood with two screws (D1.3.1).
  - Remove the filter cassettes (F1.3.2).
  - Screw the two screws on the bottom (E1.3.2).
- Before clamping screws complete 4 D and E, adjust the level of the hood.*

## 1.4 ASSEMBLING THE VENTILATION SHAFT

### Outdoor evacuation

- Using the two screws (1.4.1), attach the metal chimney bracket against the wall, flush with the ceiling for support.
- Mount the back-flow valve near the motor outlet (1.4.2). This back-flow valve makes it possible to block the entry of air from the outside.
- If a 125 mm flue is being installed, use the adapter provided (1.4.3).  
If the diameter of your exterior flue is less than 125 mm, you must connect your hood in recycling mode.
- Slide the end of the flue over the motor outlet (1.4.4).
- Prepare your telescoping ventilation shaft, taking care not to block the vents (1.4.4).  
Fit the ventilation shafts into one another as far as they will go.
- Attach the upper portion of the chimney (B1.4.4) on the metal chimney bracket (A1.4. 4) using the two screws (G1.4.4).
- Adjust the length of the telescoping chimney by bringing down the lower part and fitting it into the top of the hood.

- A** Chimney bracket
- B** Telescoping ventilation shaft
- C** Flue
- D** Adapter
- E** Back-flow valve
- F** Motor outlet
- G** Chimney holding screw

## 1.5 Recycling

- Remove the back-flow valve (1.5.1).
- Using the two screws (1.5.2), attach the plastic smoke deflector against the wall, flush with the ceiling. Be careful to centre the deflector in relation to the vertical line drawn on the wall (1.5.2).
- Slide one end of the flue over the deflector and the other end over the motor outlet (1.5.3).
- Prepare your ventilation shaft, taking care to face the vents upward so that they are visible (1.5.3).
- Attach the upper portion of the chimney (C1.5.3) on the metal smoke deflector (A1.5.3) using the two screws (F1.5.3).
- Adjust the length of the telescoping ventilation shaft by bringing down the lower part and fitting it into the top of the hood.


- A** Smoke deflector
- B** Vents
- C** Telescoping ventilation shaft
- D** Flue
- E** Motor bracket
- F** Chimney holding screw

2

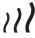


- A** Light
- B** On/Off
- C** Speed selection(1 to b)
- D** Indicator
- 3** Speed display (1, 2, 3 or b)
- F** Filter saturation
- E** Timer/Delayed shutdown (10 Min)


### SWITCHING ON THE HOOD

Pressing the  button starts the hood at speed 1.

#### • Speed selection

- Every time the speed selection button  is pressed, the following cycle is defined: speed 1, 2, 3 or b then return to speed 1.
- Every time the hood is used it will start up at the last selected speed.


#### • Timer selection

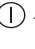

- Pressing  will activate the timer; the hood will shut down after 8 minutes. The speed will flash on the display to tell you that the hood is in timer mode.

### LIGHT

Press the  button briefly to switch the hood's halogen light on or off.

### FILTER CARTRIDGE SATURATION INDICATOR

The  symbol will flash on the display after 30 hours of operation of the hood. This message tells you that that it is necessary to clean your filter cartridge.

After cleaning the filter cartridge, press button  for 3 seconds to stop the warning light .

### FAN Auto stop

If you forget to turn the hood off, it will turn itself off automatically after 9 hours.

### LIGHT Auto stop

If you forget to turn off the light, it will automatically turn itself off after 9 hours.



### Advice on how to save energy

Adjust the speed to the cooking method and the number of pans in use. It is preferable to use the rings at the back of the range.

## 3

## Caring for &amp; cleaning

**3.1 - CLEANING THE FILTER CARTRIDGES**

They must be cleaned after approximately 30 hours of use or at least once a month. Use a brush, hot water and mild detergent. Rinse and dry them thoroughly before returning them to the hood.

**• Dismantling the filter cartridge**

- Turn the built-in filter cartridge handle.
- Tilt the filter cartridge downward.

**3.2 - CHANGING THE CARBON FILTER**

Replace it after every 120 hours approximately of use.

- Remove the filter cartridge .
- Place the carbon filter on the filter cartridge on the inside of the hood.
- Pull the two fastener clips over each side of the filter cartridge.
- Repeat these steps for all the filter cartridges.

**3.3 - CLEANING THE OUTER SURFACES**

To clean the outside of your hood, use soapy water, but do not use abrasive creams or scrubbing sponges.

**CHANGING THE LIGHT BULB**

Contact the service department

## 6

## Environnement

**ENVIRONMENTAL PROTECTION**

- This appliance's packaging material is recyclable. Help recycle it and protect the environment by dropping it off in the municipal receptacles provided for this purpose.
- Your appliance also contains a great amount of recyclable material. It is marked with this label to indicate that in countries that are a members of the European Union the used appliances should not be mixed with other waste. This way, the appliance recycling organised by your manufacturer will be done under the best possible conditions, in compliance with European Directive 2002/96/EC on Waste Electrical and Electronic Equipment. Contact your town hall or your retailer for the used appliance collection points closest to your home.
- We thank you doing your part to protect the environment.



## 7

## After sale



Any maintenance on your equipment should be undertaken by:

- either your dealer,
- or another qualified mechanic who is an authorized agent for the brand appliances.

When making an appointment, state the full reference of your equipment (model, type and serial number). This information appears on the manufacturer's nameplate attached to your equipment.

## 4

## Troubleshooting

**The hood is not working...**

Ensure that:

- The power is not cut off.
- A speed has been selected

**The hood is not operating effectively...**

Ensure that:

- The selected motor speed is sufficient for the quantity of smoke and vapours to be cleared.
- The kitchen is sufficiently ventilated to allow for fresh air intake.
- The carbon filter is not worn (hood operating in recycling mode).

**The hood stopped working**

Ensure that:

- The power is not cut off.
- The single-pole cut-off device was not activated.