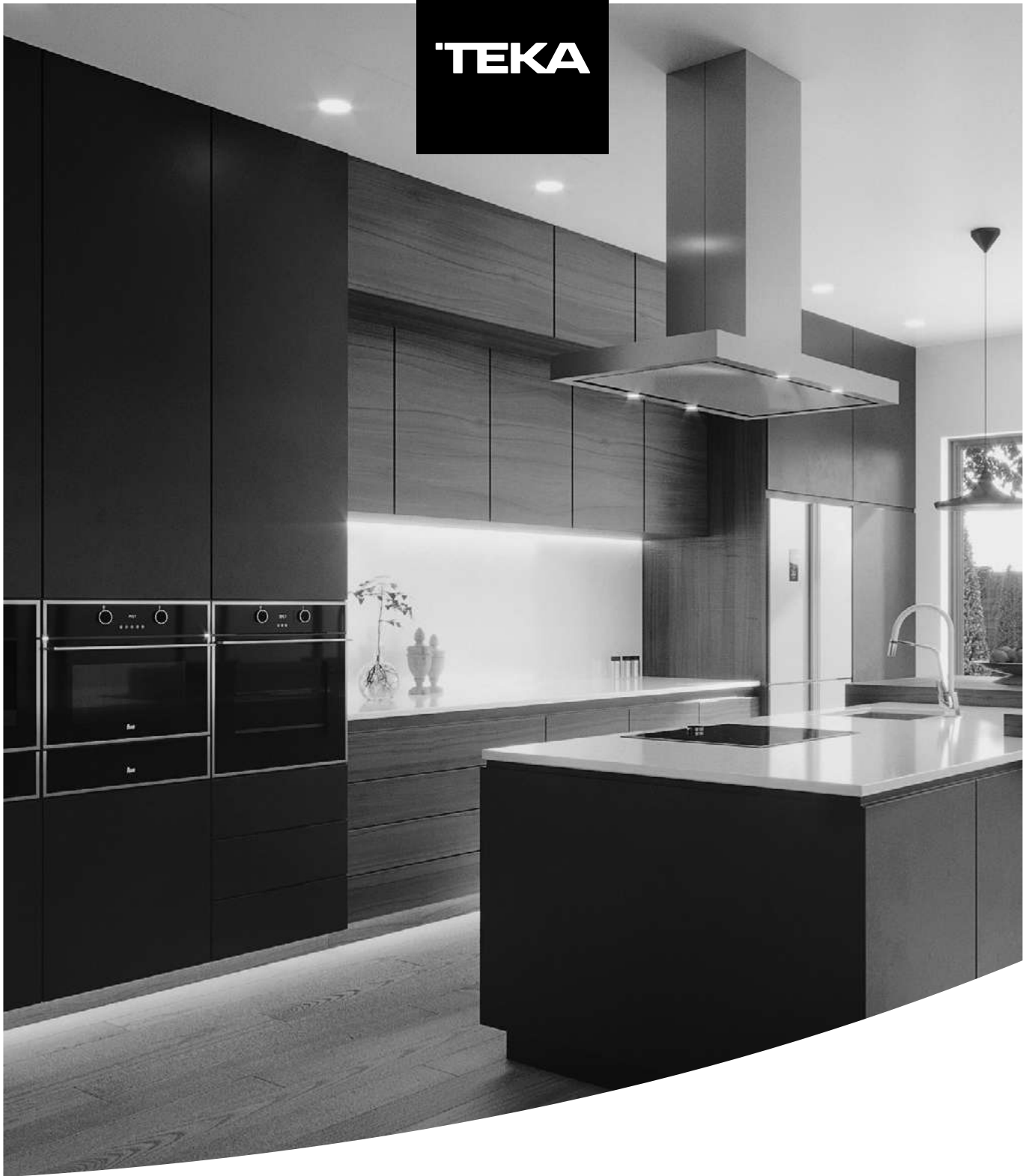


**TEKA**



User Manual  
RBF 78785 FI

EN ES FR PT

[www.teka.com](http://www.teka.com)







# Contents

<b>Important safety instructions .....</b>	<b>2</b>
<b>Environmental protection .....</b>	<b>5</b>
<b>Install Instruction.....</b>	<b>6</b>
Installation in cabinet .....	7
Doors reversal.....	12
Changing the light.....	14
Moving the appliance .....	14
Tips for energy saving.....	14
<b>Product overview .....</b>	<b>15</b>
Parts and functions .....	15
<b>Operation Instructions .....</b>	<b>16</b>
Use and functions.....	16
Storing food.....	19
<b>Maintenance and cleaning.....</b>	<b>20</b>
<b>Troubleshooting .....</b>	<b>22</b>

## Before switching on the appliance for the first time read the following safety hints!

- > This appliance is intended to be used in household and similar applications such as staff kitchen areas in shops, offices and other working environments; farm houses and by clients in hotels, motels and other residential type environments; bed and breakfast type environments; catering and similar non-retail applications.
- > This appliance is not intended for use by persons (including children) with reduced physical, sensory or mental capabilities, or lack of experience and knowledge, unless they have been given supervision or instruction concerning use of the appliance by a person responsible for their safety.

### Explanation of terms/symbols

	<b>DANGER</b> This symbol indicates that there are dangers to the life and health of persons due to extremely flammable gas.
	<b>WARNING</b> The signal word indicates a hazard with a medium level of risk which, if not avoided, may result in death or serious injury.
	<b>CAUTION</b> The signal word indicates a hazard with a low degree of risk which, if not avoided, may result in minor or moderate injury.
	<b>ATTENTION</b> The signal word indicates important information (e.g. damage to property), but not danger.

**IMPORTANT:** Pay particular attention to messages that contain the words **DANGER**, **WARNING** or **CAUTION**. These words are used to alert you to a potential hazard that can seriously injure you and others.

The instructions will tell you how to reduce the chance of injury and let you know what can happen if the instructions are not followed.

**ATTENTION:** These operating instructions are general. This means that certain functions apply to your refrigerator/freezer, while others do not.

We are constantly working on the further development and improvement of our appliance types and models. Therefore, we reserve the right to make changes to the design, equipment and accessories of all types and models without prior notice.

# IMPORTANT SAFETY INSTRUCTIONS

READ AND SAVE THESE INSTRUCTIONS!



## **WARNING: Risk of fire / flammable material**

Refrigerant and cyclopentane foaming material used for the appliance are flammable. Therefore, when the appliance is scrapped, it shall be kept away from any fire source and be recovered by a special recovering company with corresponding qualification other than be disposed by combustion, so as to prevent damage to the environment or any other harm



## **WARNING**

### **General Safety**

- > Children should be supervised to ensure that they do not play with the appliance.
- > If the supply cord is damaged, it must be replaced by the manufacturer, its service agent or similarly qualified persons in order to avoid a hazard.
- > Do not store explosive substances such as aerosol cans with a flammable propellant in this appliance.
- > The appliance has to be unplugged after use and before carrying out user maintenance on the appliance.
- > **WARNING:** Keep ventilation openings, in the appliance enclosure or in the built-in structure, clear of obstruction.
- > **WARNING:** Do not use mechanical devices or other means to accelerate the defrosting process, other than those recommended by the manufacturer.
- > **WARNING:** Do not damage the refrigerant circuit.
- > **WARNING:** Do not use electrical appliances inside the food storage compartments of the appliance, unless they are of the type recommended by the manufacturer.
- > **WARNING:** Please abandon the refrigerator according to local regulators for its use flammable blowing gas and refrigerant.
- > **WARNING:** When positioning the appliance, ensure the supply cord is not trapped or damaged.
- > **WARNING:** Do not locate multiple portable socket-outlets or portable power supplies at the rear of the appliance.
- > Do not use extension cords or ungrounded (two prong) adapters.
- > To avoid a hazard due to instability of the appliance, it must be fixed in accordance with the instructions.
- > The refrigerator must be disconnected from the source of electrical supply before attempting the installation of accessory. Ensure that the power cable is not trapped by the refrigerator. Do not step on the power cable.



## CAUTION

### Daily use

- > Do not pull the power cord when pulling the power plug of the refrigerator. Please firmly grasp the plug and pull out it from the socket directly.
- > To ensure safe use, do not damage the power cord or use the power cord when it is damaged or worn.
- > Please use a dedicated power socket and the power socket shall not be shared with other electrical appliances.
- > The power plug should be firmly contacted with the socket or else fires might be caused.
- > Please ensure that the grounding electrode of the power socket is equipped with a reliable grounding line.
- > Please turn off the valve of the leaking gas and then open the doors and windows in case of leakage of gas and other flammable gases.
- > Do not unplug the refrigerator and other electrical appliances considering that spark may cause a fire.
- > Do not use electrical appliances on the top of the appliance, unless they are of the type recommended by the manufacturer.
- > The gaps between refrigerator doors and between doors and refrigerator body are small, be noted not to put your hand in these areas to prevent from squeezing the finger. Please be gentle when close the refrigerator door to avoid falling articles.
- > Do not pick foods or containers with wet hands in the freezing chamber when the refrigerator is running, especially metal containers in order to avoid frostbite.
- > Do not allow any child to get into or climb the refrigerator; otherwise suffocation or falling injury of the child may be caused.
- > Do not place heavy objects on the top of the refrigerator considering that objectives may fall when close or open the door, and accidental injuries might be caused.
- > Do not put flammable, explosive, volatile and highly corrosive items in the refrigerator to prevent damages to the product or fire accidents.
- > Do not place flammable items near the refrigerator to avoid fires.
- > The refrigerator is intended for household use, such as storage of foods; it shall not be used for other purposes, such as storage of blood, drugs or biological products, etc.
- > Do not store beer, beverage or other fluid contained in bottles or enclosed containers in the freezing chamber of the refrigerator; or otherwise the bottles or enclosed containers may crack due to freezing to cause damages.



## WARNING

- > Connect to potable water supply only. (Suitable for ice cube maker) (\*)
- > To prevent children from being entrapped, the keys must be kept out of reach of children and not in the vicinity of chest freezer (or refrigerator) (suitable for products with locks).(\*)

**(\*): This feature varies depending on the model purchased.**



## WARNING

For EU standard:

**This appliance can be used by children aged from 8 years and above and persons with reduced physical, sensory or mental capabilities or lack of experience and knowledge if they have been given supervision or instruction concerning use of the appliance in a safe way and understand the hazards involved. Children shall not play with the appliance. Cleaning and user maintenance shall not be made by children without supervision.**

**To avoid contamination of food, please respect the following instructions:**

- Opening the door for long periods can cause a significant increase of the temperature in the compartments of the appliance.
- Clean regularly surfaces that can come in contact with food and accessible drainage systems.
- Clean water tanks if they have not been used for 48h; flush the water system connected to a water supply if water has not been drawn for 5 days. **(Note 1)(\*)**
- Store raw meat and fish in suitable containers in the refrigerator, so that it is not in contact with or drip onto other food.
- Two-star frozen-food compartments are suitable for storing pre-frozen food, storing or making ice-cream and making ice cubes. **(Note 2)(\*)**
- 1 star, 2 star and 3 star compartments are not suitable for the freezing of fresh food. **(note 3)(\*)**
- For appliances without a 4-star compartment: this refrigerating appliance is not suitable for freezing foodstuffs. **(note 4)(\*)**
- If the refrigerating appliance is left empty for long periods, switch off, defrost, clean, dry, and leave the door open to prevent mould developing within the appliance.

**Note 1,2,3,4: Please confirm whether it is applicable according to your product compartment type.**

**(\*): This feature varies depending on the model purchased.**



"4 star" symbol: Freezer at -18 °C or colder, and it has the ability of quick freezing a certain amount of food



"3 star" symbol: Freezer compartment at -18 °C or colder



"2 star" symbol: Freezer compartment at -12 °C or colder



"1 star" symbol: Freezer compartment with a target temperature and storage conditions of -6 °C



## CAUTION

**This product is not recommended for use with sockets or main switch with the A/GFCI function, otherwise it may cause false tripping.**

1. It's not pose a safety risk when tripped.
2. If tripping persists, it is recommended to replace the sockets or main switch without a/gfci function.



## WARNING

**Risk of child entrapment. Before you throw away your old refrigerator or freezer:**

- > Take off the doors.
- > Leave the shelves in place so that children may not easily climb inside.

# ENVIRONMENTAL PROTECTION

## Disposing of old electrical devices in an environmentally-friendly manner



This crossed-out wheeled bin symbol indicates that waste electrical and electronic products (WEEE) should be disposed of separately from the municipal waste stream.

Old electrical products can contain hazardous substances so correct disposal of your old appliance will help prevent potential negative consequences for the environment and human health. Your old appliance may contain reusable parts that could be used to repair other products, and other valuable materials that can be recycled to conserve limited resources.

## Package information



Packaging materials of the product are manufactured from recyclable materials in accordance with our National Environment Regulations. Do not dispose of the packaging materials together with the domestic or other wastes. Take them to the packaging material collection points designated by the local authorities.

### CAUTION

Refrigerant and cyclopentane foaming material used for the refrigerator are flammable. Therefore, when the refrigerator is scrapped, it shall be kept away from any fire source and be recovered by a special recovering company with corresponding qualification other than be disposed by combustion, so as to prevent damage to the environment or any other harm.

# INSTALL INSTRUCTION

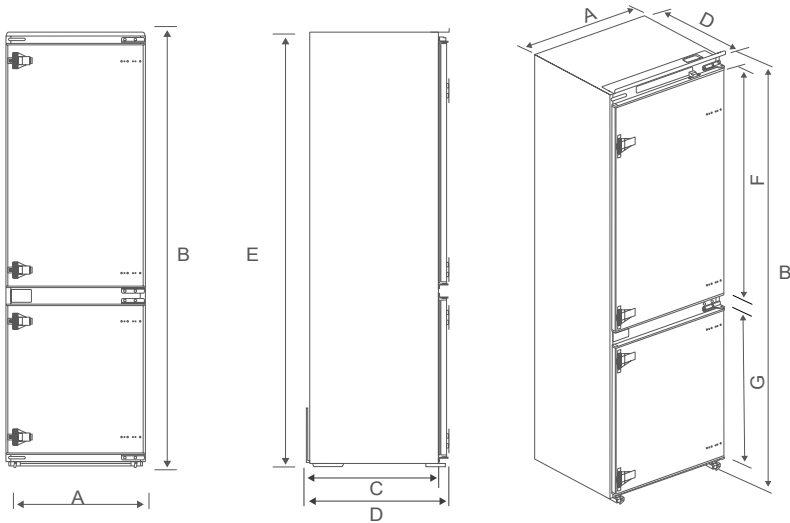
## Before first use

Remove the exterior and interior packing, wipe the outside thoroughly with a soft dry cloth and the inside with a wet, lukewarm cloth.

Before connecting your refrigerator to the power supply, check that the voltage stated on the rating label of your appliance corresponds to the voltage in your home. A different voltage could damage the appliance.

The appliance must be grounded. The manufacturer is not responsible for damages that may occur as a result of usage without grounding.

## Space requirement diagram



A	B	C	D	E	F	G
690	1953	515	550	1937	1161	621.5

Notice: All dimensions in mm.

The range of product width dimension is 690mm to 695mm.

## Ambient Temperature

Depending on the climate class, this refrigerator is intended to be used at an ambient temperature range as specified in the following table.

The product may not operate properly at temperatures outside of the specific range.

You can find the climate class on the product label.

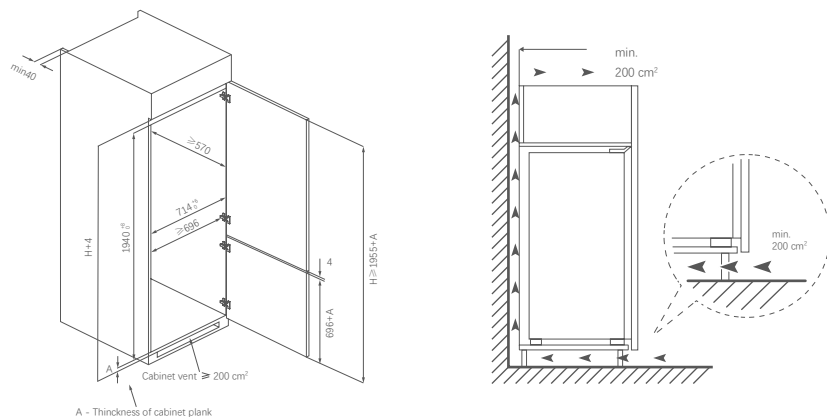
Climate Class	Ambient Temperature
SN	+10 °C to +32 °C
N	+16 °C to +32 °C
ST	+16 °C to +38 °C
T	+16 °C to +43 °C

If you have any doubts regarding installation, please turn to the vendor, to our customer service or to the nearest Authorised Service Centre.

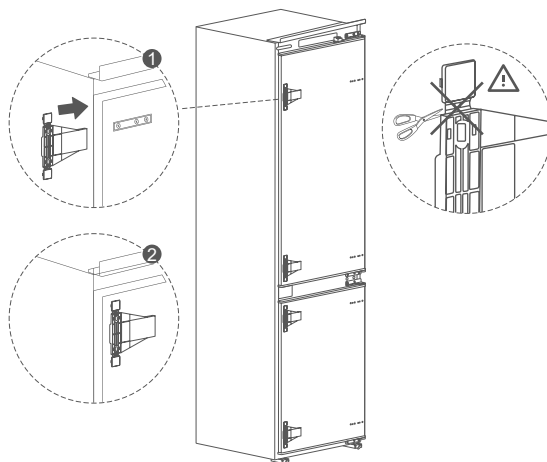
## Installation in cabinet

### Steps:

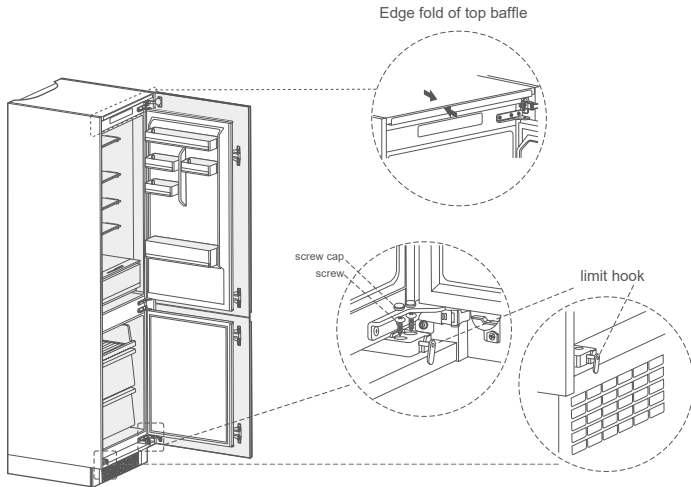
1. Cabinet size requirement.



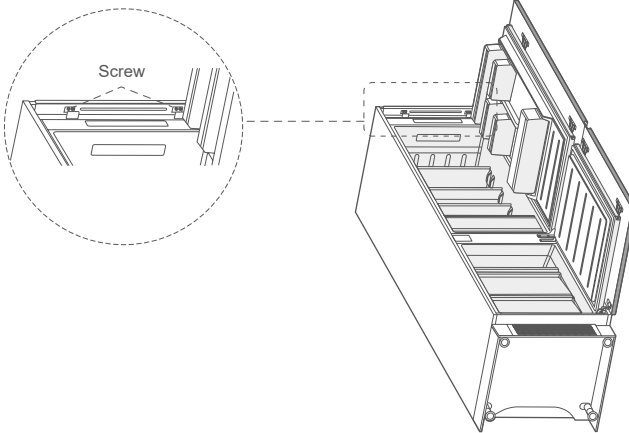
2. Install the 4 fixed blocks in the accessory package on the corresponding sliding rail of the door body. Push the refrigerator into the cabinet and adjust it to ensure that the edges of the top plate fully touch the top edge of the cabinet and the limiting hooks of the support legs fully touch the bottom edge of the cabinet.



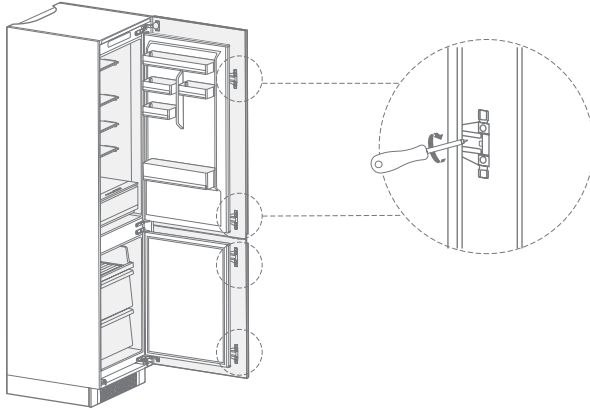
3. Fix the supporting leg with screws, then install the screw caps.



4. Fix the top baffle to the top of the cabinet inner with screws, then install the screw caps.



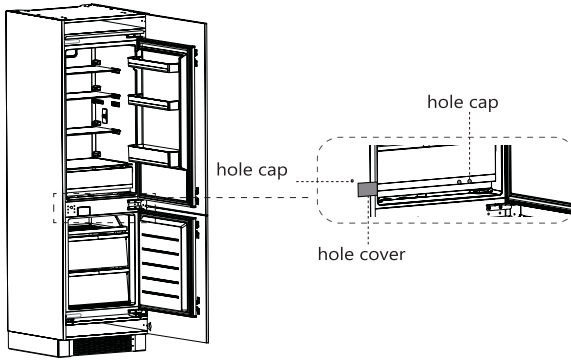
5. Open the lower door of cabinet the maximum angle, and open the lower door of the refrigerator to the corresponding position. Sliding the block to make sure inner edge align with the lower door edge of refrigerator, then fix the block to the door of cabinet with screw and install screw caps. Fix the upper refrigerator door to the cabinet door in the same way. Exchange the fixed position of the adjustable foot and the bottom hinge, then fix them again.



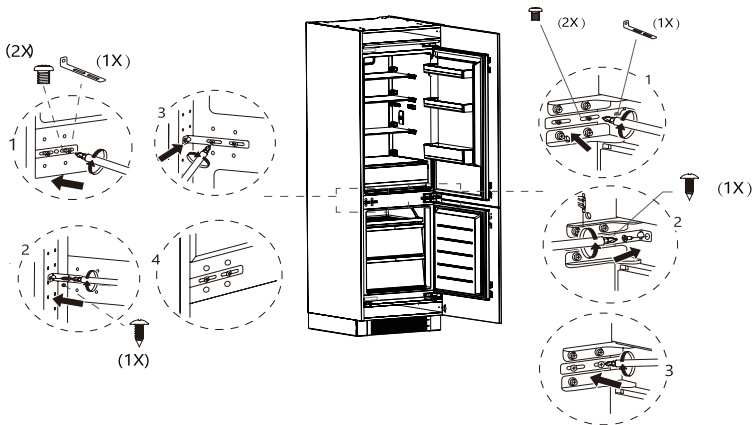
6. Take out the sealing strip from accessory bag, and press it in the gap between the cabinet and the refrigerator. Installation is completed.

(Optional L Bracket)

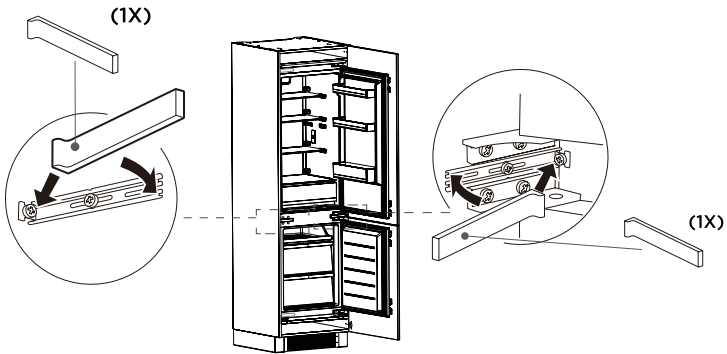
7. Remove the hole cover and hole caps of refrigerator and insert the caps on the other side.



8. Install the L Bracket



9. Install the L Bracket cover.

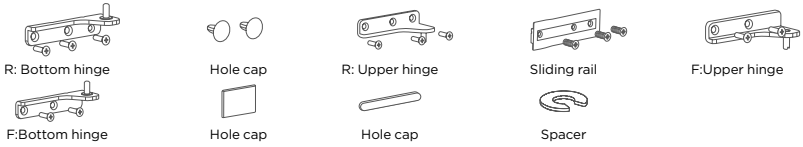


**ATTENTION**

**Precautions before installation:** Information in the Instruction Manual is only for reference. The physical product may differ. Before installation and adjusting of accessories, it shall be ensured that the refrigerator is disconnected from power.

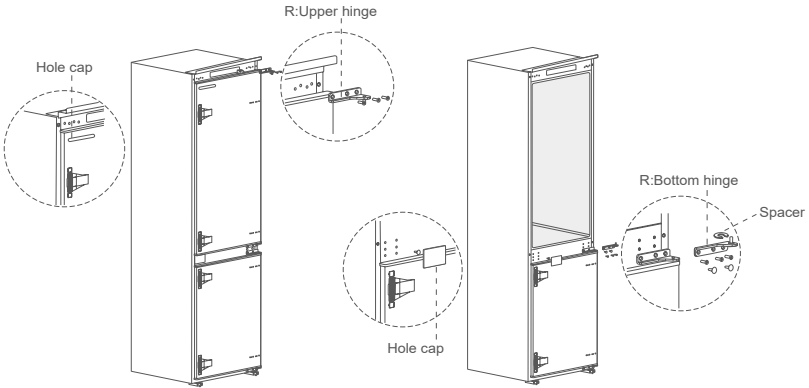
# Doors reversal

Parts already mounted on the refrigerator (as shipped):

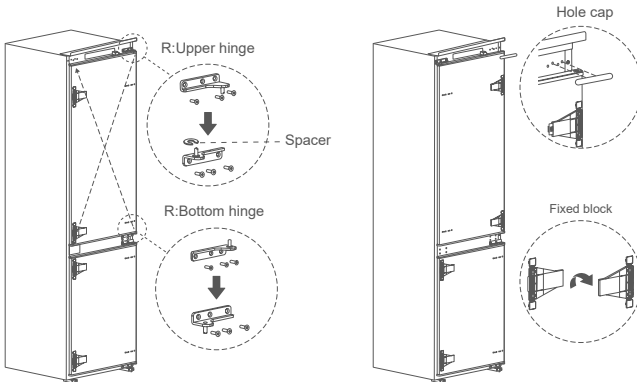


## Steps:

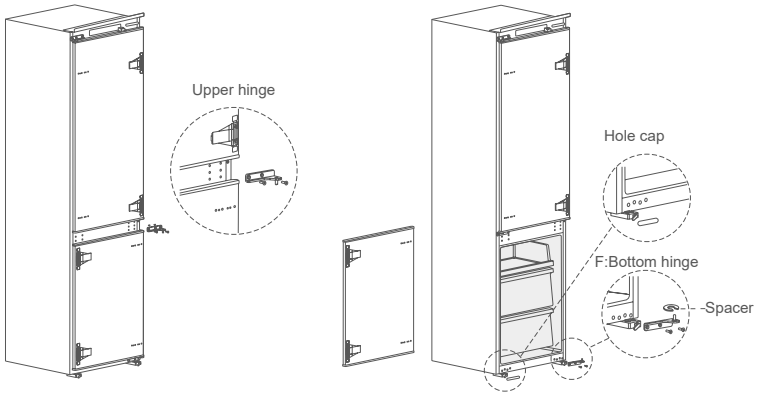
1. Power off the refrigerator, and remove all objects from the door trays.
2. Remove the upper hinge and hole caps of refrigerator door.
3. Remove the refrigerator door, the bottom hinge spacer and the hole cover.



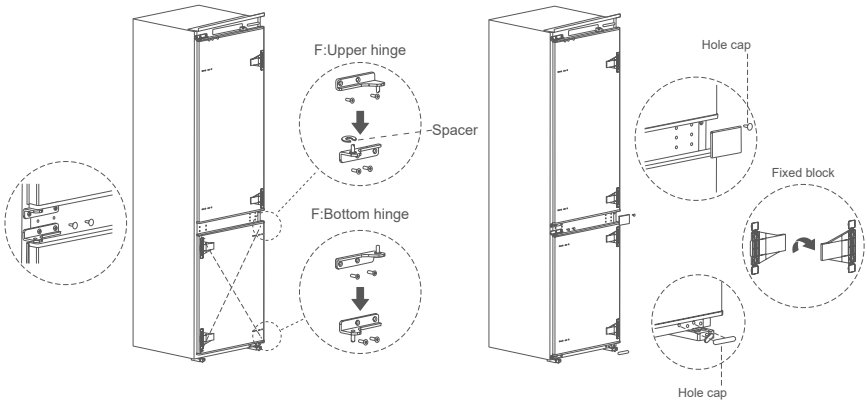
4. Exchange the R:bottom hinge and R:upper hinge ,then install them according to below steps, and install the top hole caps.
5. Remove the two fixed blocks of refrigerator door and rotate them for 180° and install them on other side of refrigerator door.



- 6. Remove the the upper hinge of freezer door.
- 7. Remove the freezer door, the bottom hinge spacer and the hole caps.



- 8. Exchange the F:bottom hinge and F:upper hinge ,then install them according to below steps, and install the top hole cover and lower hole caps.
- 9. Remove the two fixed blocks of freezer door and rotate them for 180° and install them on other side of freezer door.



**ATTENTION**

**Differences:** Due to technical changes and different models, some of the illustrations in this manual may differ from your model.

## Changing the light

Any replacement or maintenance of the LED lamps is intended to be made by the manufacturer, its service agent or similar qualified person.

**This product contains a light source of energy efficiency class (G).**

After connecting the power supply cord (or plug) to the outlet, wait 2 or 3 hours before you put food into the appliance. If you add food before the appliance has cooled completely, your food may spoil.

## Moving the appliance

1. Remove all items from the appliance.
2. Pull the power plug out, insert and fix it into the power plug hook at the rear or on top of the appliance.
3. Tape parts such as shelves and the door to prevent from falling off while moving the appliance.
4. Move the appliance with more than two people carefully. When transporting the appliance over a long distance, keep the appliance upright.

## Tips for energy saving

Do not place the appliance near cookers, radiators or other heat sources. If the ambient temperature is high, the compressor will run more frequently and for longer, resulting in increased energy consumption.

Ensure that there is sufficient ventilation at the base of the appliance, on the sides of the appliance and at the back of the appliance.

Please also observe the spacing dimensions in the chapter "Installation".

The arrangement of drawers, shelves and trays as shown in the product overview offers the most efficient use of energy and should be retained as far as possible.

To obtain a larger storage space (e.g. for large refrigerated/frozen goods), the middle drawers and shelves can be removed. The top and bottom drawers and shelves should be removed last if necessary.

An evenly filled refrigerator/freezer compartment contributes to optimal energy use.

Allow warm food to cool before placing it in the refrigerator/freezer compartment. Food that has already cooled down increases energy efficiency.

Allow frozen food to defrost in the refrigeration compartment. The coldness of the frozen food reduces the energy consumption in the refrigerator compartment and thus increases the energy efficiency.

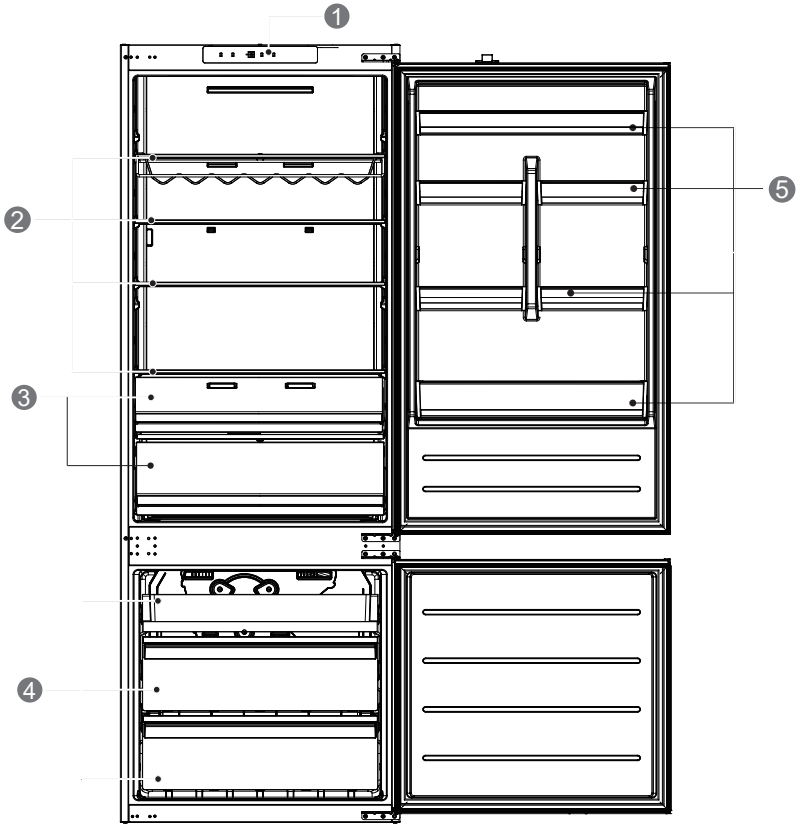
Open the door only as briefly as necessary to minimise cold loss. Opening the door briefly and closing it properly reduces energy consumption.

Setting the temperature no colder than necessary contributes to optimal energy use.

The door gaskets of your appliance must be perfectly intact so that the doors close properly and energy consumption is not increased unnecessarily.

# PRODUCT OVERVIEW

## Parts and functions



- |   |                           |   |             |
|---|---------------------------|---|-------------|
| 1 | Temperatre control        | 2 | Glass shelf |
| 3 | Fruits and vegetables box | 4 | Drawer      |
| 5 | Door tray                 |   |             |

> For the most efficient use of energy, please keep the all internal items such as trays, drawers, shelves and ice cube box on the position supplied by manufacturer.

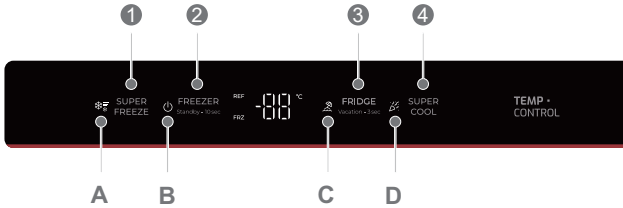
### ATTENTION

**Differences:** Due to technical changes and different models, some of the illustrations in this manual may differ from your model.

# OPERATION INSTRUCTIONS

## Use and functions

### Feature panel



### Display screen

- A Super freeze mode indicator
- B Standby indicator
- C Vacation mode indicator
- D Super cooling mode indicator

### Button

- |                    |                     |
|--------------------|---------------------|
| 1 SUPER FRZ Button | 2 FREEZER Button    |
| 3 FRIDGE Button    | 4 SUPER COOL Button |

### ATTENTION

Do not use sharp objects to operate the control panel. They can scratch or damage the control panel.

### Display

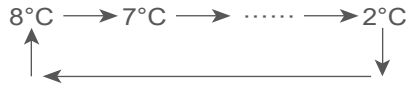
When the refrigerator is powered on for the first time, the display are fully displayed for 3 seconds, the power-on bell ringing at the same time. The digital display area enters the normal operation display. The default temperature of the refrigerator compartment is 5°C, and the default temperature of the freezer compartment is -20°C.

When adjusting the temperature or setting the mode, the setting takes effect after no operation for 15 seconds, and the digital display area lights off after no operation for another 15 seconds.

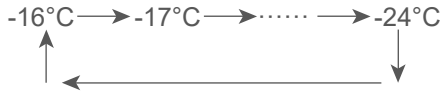
When the digital display area lights off, open the door of refrigerator compartment or press any button can illuminate the digital display area.

### Temperature setting

Press the FRIDGE button to adjust the temperature of the refrigerator compartment. The digital display area shows the set temperature of the refrigerator compartment (2 ~ 8°C). Each time you press the button, the temperature value is reduced by 1°C. After reaching the lowest temperature, press the button again to cycle to the highest temperature.



Press the FREEZER button to adjust the temperature of the freezer compartment. The digital display area shows the set temperature of the freezer compartment (-24 - -16°C). Each time you press the button, the temperature value is reduced by 1°C. After reaching the lowest temperature, press the button again to cycle to the highest temperature.



### Standby mode

Press and hold the FREEZER button 10s to enter the standby mode, and the Standby indicator lights up, others off. The refrigerator stops working.

In standby mode, press and hold the FREEZER button 10s to exit the standby mode, and the digital display area returns to the display state before the standby mode is set.

### Super cool mode

Press the SUPPER COOL button to enter the super cooling mode, and the Super cool mode indicator lights up. The digital display area shows 2°C.

In the super cool mode, after pressing the SUPPER COOL button or the FRIDGE button or running for 6 hours, the Super cool mode indicator lights off and the super cool mode is exited, the set temperature of the refrigerating chamber will automatically return to that set before entering Super cool mode.

### Super freeze mode

Press the SUPPER FRZ button to enter the super freeze mode, the Super freeze mode indicator lights up, and the digital display area shows -24°C.

In the super freeze mode, press the SUPPER FRZ button or the FREEZER button or run for 40 hours, the Super freeze mode indicator lights off, and the super freeze mode is exited, the set temperature of the freezer chamber will automatically return to that set before entering Super freeze mode.

### Vacation mode

Press and hold the FRIDGE button 3s to enter the vacation mode, and the Vacation mode indicator lights up. The refrigerator compartment is closed, and the digital display area shows "--". The freezer compartment is set to -20°C. The temperature adjustment is not available, and super cooling/super freeze mode cannot be set.

Press and hold FRIDGE button 3s, the Vacation mode indicator lights off, and the vacation mode is exited. The digital display area returns to the display state before the vacation mode is set.

### Door open timeout alarm

When the door of the refrigerator compartment is open for 120s without closing, the buzzer alarms. Close the door or press any button to release the alarm.

## Fault indication

The following warnings appearing on the display indicate corresponding faults of the refrigerator. Though the refrigerator may still have a freezing function with the following faults, the user shall contact maintenance specialist for maintenance, so as to ensure normal use of the refrigerator.

<b>Fault Code</b>	<b>Fault Description</b>
E1	Temperature sensor fault of the refrigerator compartment
E2	Temperature sensor fault of the freezer compartment
E5	Freezer frost sensor fault
E6	Main control PCB and Display PCB Communication fault
E7	Ambient temperature sensor fault
L4	Abnormal freezing fan speed fault
L5	Condenser fan fault
L6	Abnormal condenser fan speed fault

## Storing food

### Freezer compartment

The freezer compartment is designated for the low-temperature freezing of food, long-term storage of frozen food, and for the production of ice cubes.

Pay attention to the star classifications (4 star, 2 star and 1 star) in the freezer compartment and the resulting storage periods for frozen food.

Do not put fresh and frozen food next to each other. The frozen food may thaw.

When freezing large amounts of fresh food (such as meat, fish or chopped meat), please divide them into several small pieces before putting in, so that they can be quickly frozen and pick up easily.

Abide by the storage times recommended by food manufacturers on the packages, there is no information on the packaging, food should not be stored frozen for longer than three months from the date of purchase.

When purchasing frozen food, make sure that it was frozen at a suitable temperature and that the packaging is not damaged.

Frozen food should be kept in suitable individual packages to ensure that adjacent food cannot be contaminated. Consume thawed and defrosted foods immediately, do not refreeze them.

In case of prolonged power failure or malfunction of the appliance, remove the stored frozen food and check whether they are still edible, then store them in a sufficiently cool place or in another appliance.

To defrost food, remove it from the freezer and let it defrost at room temperature or in the refrigerator. To defrost food quickly, you can use the defrost function on your microwave, for example.

If you only want to defrost part of a pack, remove the portion you need and immediately close the rest of the pack. In this way, you will avoid "freezer burn" and will reduce ice formation on the remaining foods.

### Cooling compartment

To reduce moisture and subsequent ice build-up, never put liquid into the fridge compartment in unsealed containers. Frost tends to concentrate in the coolest parts of the evaporator. Storing uncovered liquids results in a more frequent need for defrosting.

Never put warm foods in the fridge compartment. These should first cool down at room temperature and then be placed so as to ensure adequate air circulation in the fridge compartment.

Foods or food containers should not touch the back wall of the fridge because they could freeze to the wall. Do not keep regularly opening the door of the refrigerator.

Meat and clean fish (packed in a package or plastic foil) can be placed in the fridge compartment, which can be used in 1-2 days.

Fruit and vegetables without packaging can be placed in the part designated for fresh fruit and vegetables

#### ATTENTION

Storage of too much food during operation after the initial connection to power may adversely affect the freezing effect of the refrigerator.

### Storage times and temperature

Note: Overlong storage or storage at inappropriate freezing temperature may cause a quality loss or spoiled foods, which causes food waste, is inedible and may cause food poisoning. The minimum temperature in most cases should be -18°C or colder. Follow the maximum recommended storage times below:

- > Stew, ice cream, sausages, bread: 2-6 months.
- > Fish, shrimp, lamb, meat: 4-8 months.
- > Vegetables, fruits, poultry, beef: 6-12 months.

# MAINTENANCE AND CLEANING



## CAUTION

Disconnect the appliance from the electrical supply before undertaking any routine maintenance. Allow at least 5 minutes before restarting the appliance, as frequent starting may damage the compressor.

Hold the plug, not the cable, when unplugging the appliance.

Do not scrape off frost and ice with sharp objects. Do not use sprays, electric heaters like heater, hair dryer, steam cleaners or other sources of heat in order to avoid damage to the plastic parts.

Eliminate the dust on the back of the unit at least once in the year to avoid hazard by fire, as well as increased energy consumption.

Check the door gasket regularly to make sure there are no debris. Clean the door gasket with a soft cloth dampened with soapy water or diluted detergent.

The interior of the product should be cleaned regularly to avoid odor.

Use a soft cloth or sponge to clean the inside of the product, with two tablespoons of baking soda and a quart of warm water. Then rinse with water and wipe clean. After cleaning, open the door and let it dry naturally before turning on the power.

For areas that are difficult to clean in the product (such as narrow sandwiches, gaps or corners), it is recommended to wipe them regularly with a soft rag, soft brush, etc. and when necessary, combined with some auxiliary tools (such as thin sticks) to ensure no contaminants or bacterial accumulation in these areas.

Do not use soap, detergent, scrub powder, spray cleaner, etc., as these may cause odors in the interior of the product or contaminated food.

Wipe the outer surface of the product with a soft cloth dampened with soapy water, detergent, etc., and then wipe dry.

Do not use hard brushes, clean steel balls, wire brushes, abrasives (such as toothpastes), organic solvents (such as alcohol, acetone, banana oil, etc.), boiling water, acid or alkaline items, which may

damage the fridge surface and interior. Boiling water and organic solvents such as benzene may deform or damage plastic parts.



Do not rinse directly with water or other liquids during cleaning to avoid short circuits or affect electrical insulation after immersion.

## ATTENTION

The appliance shall run continuously once it is started. Generally, the operation of the appliance shall not be interrupted; otherwise the service life may be impaired.

## Defrosting

Although this appliance automatically defrosts, a layer of frost may occur on the freezer compartment's interior walls if the freezer door is opened frequently or kept open too long. If the frost is too thick, choose a time when the supply of food stocks are low and proceed as follows:

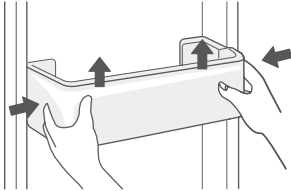
1. Remove existing food and accessories baskets, unplug the appliance from the mains power and leave the doors open. Ventilate the room thoroughly to accelerate the thawing process.
2. When defrosting is completed, clean your freezer as described above.

**CAUTION!** Don't use sharp objects to remove frost from the freezer. Only after the interior completely dry should the appliance be switched back on and plugged back into the mains socket.

### Cleaning of door tray

According to the direction arrow in the figure below, use both hands to squeeze the tray, and push it upward, then you can take it out.

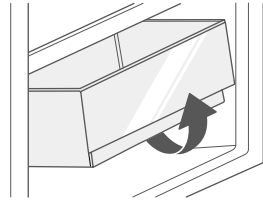
After washing the tray having been taken out, you can adjust its installing height in accordance with your requirement.



### Cleaning the vegetable drawer

Remove the contents of the drawer. Hold the handle of the vegetable drawer and pull it out completely until it stops.

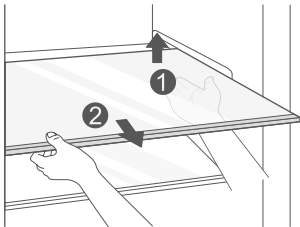
Lift the vegetable drawer up and remove it by pulling it out.



### Cleaning of glass shelf

As the innermost part of the refrigerator liner where contacting the shelves has a backstop, you shall raise the shelves upward, then you can be able to take it out.

Adjust or clean the shelves according to your requirement.



### ATTENTION

**Differences:** Due to technical changes and different models, some of the illustrations in this manual may differ from your model.

# TROUBLESHOOTING

The following simple issues can be handled by the user. Please call the after-sale service department if the issues are not solved.

Problem	Possible Causes	Solution
Not operate	<ul style="list-style-type: none"> <li>The power supply is not turned on and the plug is not firmly inserted.</li> <li>Low voltage, power failure or part of the circuit tripped.</li> </ul>	<ul style="list-style-type: none"> <li>Insert the power cord plug firmly.</li> <li>Check the power supply at home.</li> </ul>
Light not on	<ul style="list-style-type: none"> <li>The appliance is not powered on.</li> <li>The light is broken.</li> </ul>	<ul style="list-style-type: none"> <li>Unplug and re-plug the power cord.</li> <li>Replace the light with a new one.</li> </ul>
Fruits or vegetables are frozen	<ul style="list-style-type: none"> <li>Has the food been placed at the back of the fridge? The area near the back wall is where the temperatures are coldest.</li> <li>Fruits or vegetables are stored in the Fresh/Chill zone.</li> </ul>	<ul style="list-style-type: none"> <li>Not placing food which may freeze easily at the back of the fridge compartment.</li> <li>The Fresh/Chill zone is only for meat/fish.</li> </ul>
Fridge/freezer is over-cooling	<ul style="list-style-type: none"> <li>Temperature control is not set correctly.</li> </ul>	<ul style="list-style-type: none"> <li>Set the temperature higher.</li> </ul>
Compressor working for a long time	<ul style="list-style-type: none"> <li>High ambient temperature causing long working time.</li> <li>Putting too much food in at one time.</li> <li>Food is put in before it has cooled down.</li> <li>Opening the door too often.</li> <li>The frost layer inside is too thick.</li> </ul>	<ul style="list-style-type: none"> <li>This is normal.</li> <li>Do not put too much food in at one time.</li> <li>Wait until the food has cooled down before putting it in.</li> <li>Do not open the door too often.</li> <li>Need to defrost.</li> </ul>
Door does not close properly	<ul style="list-style-type: none"> <li>Door is stuck with objects.</li> <li>Too much food in.</li> <li>Door gasket deformed.</li> </ul>	<ul style="list-style-type: none"> <li>Do not put in too much food.</li> <li>Place the appliance stably.</li> <li>Heat the door gasket, then cool it for restoration (with an electrical drier or hot water for heating).</li> </ul>
Outer wall is hot	<ul style="list-style-type: none"> <li>When the appliance is operating, heat is dissipated to the outside through the metal tubes inside the cabinet.</li> <li>Higher ambient temperatures in the summer cause the temperature of the outer wall to rise.</li> </ul>	<ul style="list-style-type: none"> <li>Higher temperature on the outer wall is normal.</li> <li>Increase the heat dissipation space, or put the appliance in a ventilated and cool place.</li> </ul>
Cross or vertical beams are hot	<ul style="list-style-type: none"> <li>There are metal tubes inside the beams, and the heat released from the tubes prevents condensation.</li> </ul>	<ul style="list-style-type: none"> <li>This is normal.</li> </ul>
Odors	<ul style="list-style-type: none"> <li>Spoiled food</li> <li>Food with strong odors</li> <li>The interior compartment is dirty.</li> </ul>	<ul style="list-style-type: none"> <li>Clean and remove any spoiled food.</li> <li>Make sure strong smelling food is wrapped airtight.</li> <li>Clean the interior compartment.</li> </ul>
Condensation forms on the outside	<ul style="list-style-type: none"> <li>Condensation may form when the humidity in the room is high.</li> </ul>	<ul style="list-style-type: none"> <li>This is normal. Wipe off the condensation using a dry cloth.</li> </ul>
Condensation forms inside the fridge and drawers	<ul style="list-style-type: none"> <li>The fridge maintains a high humidity to keep vegetables and other food items fresh.</li> <li>Humidity is too high in the room and doors have been opened frequently.</li> <li>The door gasket are not tight.</li> </ul>	<ul style="list-style-type: none"> <li>Wipe off the condensation using a dry cloth.</li> <li>Do not open doors as frequently or do not keep them open too long.</li> <li>Check the door gasket, clean or correct position.</li> </ul>

**Certain sounds can be heard during normal use of the refrigerator, which do not affect its correct operation.**

**Sounds, which can be easily prevented:**

- > Noise caused by the appliance which is not level - adjust the position with the adjustable turn-in front feet. Alternatively, place pads made of soft material under the rear rollers, especially when the appliance is placed on tiles.
- > Touching the adjacent piece of furniture - move the refrigerator away.
- > Creaking of the drawers or shelves - take out and put back the drawer or shelf.
- > Sounds of clinking bottles - move bottles apart.

Sounds heard during normal use are mainly due to operation of the compressor (switching on) and cooling, system (thermal expansion and contraction of the radiator caused by flow of the cooling agent).

**Note:**

- > Specified power consumption is based on a cabinet depth of 575 mm. The product also works normally in a cabinet depth of less than 570mm, which consumes more energy.

**Defrosting interval claim**

Environmental temperature	Interval between two defrosting cycles	Time	Specific conditions
32C	Minimum two defrosting intervals ( $\Delta t_{d-min}$ )	12h	Heavy use, frequent opening of doors
	Maximum two defrosting intervals ( $\Delta t_{d-max}$ )	96h	Under low humidity conditions, there is no door opening action and no special mode is set

# APPENDIX

## Special for new European standard

The ordered parts in the following table can be acquired from Service provider channel

Ordered part	Provided by	Minimum time required for Provision
Thermostats	Professional maintenance personnel	At least 7 years after the last model is launched on the market
Temperature sensors	Professional maintenance personnel	At least 7 years after the last model is launched on the market
Printed circuit boards	Professional maintenance personnel	At least 7 years after the last model is launched on the market
Light sources	Professional maintenance personnel	At least 7 years after the last model is launched on the market
Door handles	Professional repairers and final users	At least 7 years after the last model is launched on the market
Door hinges	Professional repairers and final users	At least 7 years after the last model is launched on the market
Trays	Professional repairers and final users	At least 7 years after the last model is launched on the market
Baskets	Professional repairers and final users	At least 7 years after the last model is launched on the market
Door gaskets	Professional repairers and final users	At least 10 years after the last model is launched on the market

### Dear customer

1. If you want to return or replace the product, please contact the store where you buy.  
(Remember to bring the purchase invoice)
2. If your product breaks down which needs to repair, please contact after-sales service provider.



### ATTENTION

The model information in the product database, as well as the model identifier, can be obtained through a weblink scanned by a QR code, if any, on the energy efficiency label of the product.

For more information about the energy efficiency of the appliance, visit <https://eprel.ec.europa.eu> and search using the model name.

The model name can be found on the rating label of the appliance.







# Contenidos

<b>INSTRUCCIONES IMPORTANTES DE SEGURIDAD.....</b>	<b>2</b>
<b>PROTECCIÓN AMBIENTAL.....</b>	<b>5</b>
<b>INSTRUCCIONES DE INSTALACIÓN .....</b>	<b>6</b>
Instalación en gabinete .....	7
inversión de puertas .....	12
Cambio de luz.....	14
Moviendo el electrodoméstico .....	14
Consejos para ahorrar energía.....	14
<b>VISIÓN GENERAL DEL PRODUCTO.....</b>	<b>15</b>
Piezas y funciones .....	15
<b>INSTRUCCIONES DE OPERACIÓN .....</b>	<b>16</b>
uso y funciones .....	16
Almacenamiento de alimentos.....	19
<b>MANTENIMIENTO Y LIMPIEZA.....</b>	<b>20</b>
<b>SOLUCIÓN DE PROBLEMAS.....</b>	<b>22</b>
<b>APÉNDICE .....</b>	<b>24</b>
Especial para el nuevo estándar europeo.....	24

**Antes de encender el electrodoméstico por primera vez, lea las siguientes recomendaciones de seguridad!**

- > Este electrodoméstico está destinado a ser utilizado en hogares y aplicaciones similares, como áreas de cocina para el personal en tiendas, oficinas y otros entornos laborales; casas de campo y por clientes en hoteles, moteles y otros entornos residenciales; entornos de tipo bed and breakfast; aplicaciones de catering y similares no minoristas.
- > Este electrodoméstico no está destinado a ser utilizado por personas (incluidos niños ) con capacidades físicas, sensoriales o mentales reducidas, o falta de experiencia y conocimiento, a menos que se les haya dado supervisión o instrucción sobre el uso del electrodoméstico por una persona responsable de su seguridad.

**Explicación de términos/símbolos**

	<b>PELIGRO</b> Este símbolo indica que hay peligros para la vida y la salud de las personas debido a gas extremadamente inflamable.
	<b>ADVERTENCIA</b> La palabra de señal indica un peligro con un nivel medio de riesgo que, si no se evita, puede resultar en muerte o lesiones graves.
	<b>PRECAUCIÓN</b> La palabra de señal indica un peligro con un bajo grado de riesgo que, si no se evita, puede resultar en lesiones menores o moderadas.
	<b>ATENCIÓN</b> La palabra de señal indica información importante (por ejemplo, daño a la propiedad), pero no peligro.

**IMPORTANTE:** Preste especial atención a los mensajes que contengan las palabras **PELIGRO**, **ADVERTENCIA** or **PRECAUCIÓN**. Estas palabras se utilizan para alertar sobre un posible peligro que puede causar lesiones graves a usted y a otros.

Las instrucciones le indicarán cómo reducir la posibilidad de lesiones y le informarán sobre lo que puede suceder si no se siguen las instrucciones.

**ATENCIÓN:** Estas instrucciones de funcionamiento son generales. Esto significa que ciertas funciones se aplican a su refrigerador/congelador, mientras que otras no.

Estamos trabajando constantemente en el desarrollo y mejora de nuestros tipos y modelos de electrodomésticos. Por lo tanto, nos reservamos el derecho de realizar cambios en el diseño , equipamiento y accesorios de todos los tipos y modelos sin previo aviso.

# INSTRUCCIONES IMPORTANTES DE SEGURIDAD

## ¡LEA Y GUARDE ESTAS INSTRUCCIONES!



### **ADVERTENCIA: Riesgo de incendio / material inflamable**

El refrigerante y el material espumante de ciclopentano utilizados para el electrodoméstico son inflamables. Por lo tanto, cuando el electrodoméstico sea desechado, debe mantenerse alejado de cualquier fuente de fuego y ser recuperado por una empresa especializada en recuperación con la correspondiente calificación en lugar de ser desechado por combustión, para evitar daños al medio ambiente o cualquier otro daño.



## **ADVERTENCIA**

### **Seguridad general**

- > Los niños deben ser supervisados para asegurarse de que no jueguen con el electrodoméstico.
- > Si el cable de alimentación está dañado, debe ser reemplazado por el fabricante, su agente de servicio o personas igualmente calificadas para evitar un peligro.
- > No almacene sustancias explosivas como latas de aerosol con un propelente inflamable en este electrodoméstico.
- > El electrodoméstico debe desconectarse después de su uso y antes de realizar el mantenimiento del usuario en el electrodoméstico.
- > **ADVERTENCIA:** Mantenga las aberturas de ventilación, en la carcasa del electrodoméstico o en la estructura incorporada, libres de obstrucciones.
- > **ADVERTENCIA:** No use dispositivos mecánicos u otros medios para acelerar el proceso de descongelación, excepto aquellos recomendados por el fabricante.
- > **ADVERTENCIA:** No dañe el circuito de refrigerante.
- > **ADVERTENCIA:** No use electrodomésticos dentro de los compartimentos de almacenamiento de alimentos del electrodoméstico, a menos que sean del tipo recomendado por el fabricante.
- > **ADVERTENCIA:** Abandone el refrigerador de acuerdo con los reguladores locales, ya que utiliza gas de soplado y refrigerante inflamables.
- > **ADVERTENCIA:** Por favor, abandone el refrigerador según los reguladores locales, ya que utiliza gas de soplado y refrigerante inflamables..
- > **ADVERTENCIA:** Al posicionar el electrodoméstico, asegúrese de que el cable de suministro no esté atrapado o dañado.
- > **ADVERTENCIA:** No coloque múltiples enchufes o fuentes de alimentación portátiles en la parte trasera del electrodoméstico.
- > No utilice cables de extensión o adaptadores sin conexión a tierra (de dos clavijas).
- > Para evitar un peligro debido a la inestabilidad del electrodoméstico, debe fijarse de acuerdo con las instrucciones.
- > El refrigerador debe desconectarse de la fuente de suministro eléctrico antes de intentar la instalación de un accesorio. Asegúrese de que el cable de alimentación no quede atrapado por el refrigerador. No pise el cable de alimentación.



## PRECAUCIÓN

### uso diario

- > No tire del cable de alimentación al desconectar el enchufe del refrigerador. Por favor, agarre firmemente el enchufe y retírelo directamente del enchufe.
- > Para garantizar un uso seguro, no dañe el cable de alimentación ni lo use cuando esté dañado o desgastado.
- > Utilice un enchufe de alimentación dedicado y no lo comparta con otros electrodomésticos.
- > El enchufe de alimentación debe estar firmemente en contacto con el enchufe, de lo contrario podrían producirse incendios.
- > Asegúrese de que el electrodo de puesta a tierra del enchufe de alimentación esté equipado con una línea de puesta a tierra confiable.
- > Cierre la válvula del gas que se está fugando y luego abra las puertas y ventanas en caso de fuga de gas y otros gases inflamables .
- > No desenchufe el refrigerador y otros electrodomésticos considerando que las chispas pueden causar un incendio.
- > No utilice aparatos eléctricos en la parte superior del electrodoméstico, a menos que sean del tipo recomendado por el fabricante.
- > Las brechas entre las puertas del refrigerador y entre las puertas y el cuerpo del refrigerador son pequeñas, tenga en cuenta de no poner su mano en estas áreas para evitar que se pellizque el dedo. Por favor, sea suave al cerrar la puerta del refrigerador para evitar que los artículos caigan.
- > No recoja alimentos o recipientes con las manos mojadas en la cámara de congelación cuando el refrigerador esté funcionando, especialmente los recipientes de metal para evitar la

congelación.

- > No permita que ningún niño entre o trepe en el refrigerador; de lo contrario , se puede causar asfixia o lesiones por caídas del niño.
- > No coloque objetos pesados en la parte superior del refrigerador considerando que los objetos pueden caer cuando se abra o cierre la puerta, y se pueden causar lesiones accidentales.
- > No ponga elementos inflamables, explosivos , volátiles y altamente corrosivos en el refrigerador para evitar daños al producto o accidentes de incendio.
- > No coloque objetos inflamables cerca del refrigerador para evitar incendios.
- > El refrigerador está destinado para uso doméstico, como almacenamiento de alimentos ; no debe ser utilizado para otros fines, como almacenamiento de sangre, medicamentos o productos biológicos, etc.
- > No almacene cerveza, bebidas u otros líquidos contenidos en botellas o recipientes cerrados en la cámara de congelación del refrigerador; de lo contrario, las botellas o recipientes cerrados pueden agrietarse debido a la congelación y causar daños.



## ADVERTENCIA

- > Conéctese solo a una fuente de agua potable. (Adecuado para fabricante de cubitos de hielo)(\*)
- > Para evitar que los niños queden atrapados, las llaves deben mantenerse fuera del alcance de los niños y no en las cercanías del congelador horizontal (o refrigerador) (adecuado para productos con cerraduras).(\*)

**(\*):** Esta característica varía según el modelo comprado.



## ADVERTENCIA

Para el estándar europeo:

**por niños a partir de 8 años y personas con capacidades físicas, sensoriales o mentales reducidas o falta de experiencia y conocimiento si han recibido supervisión o instrucciones sobre el uso del electrodoméstico de manera segura y comprenden los riesgos involucrados. Los niños no deben jugar con el electrodoméstico. La limpieza y el mantenimiento del usuario no deben ser realizados por niños sin supervisión.**

**Para evitar la contaminación de los alimentos, por favor respete las siguientes instrucciones:**

- Abrir la puerta durante largos períodos puede causar un aumento significativo de la temperatura en los compartimentos del electrodoméstico.
- Limpie regularmente las superficies que puedan entrar en contacto con los alimentos y los sistemas de drenaje accesibles.
- Limpie los tanques de agua si no se han utilizado durante 48 horas; enjuague el sistema de agua conectado a una fuente de agua si no se ha utilizado agua durante 5 días. (Note 1)(\*)
- Almacene la carne cruda y el pescado en recipientes adecuados en el refrigerador, para que no estén en contacto con otros alimentos ni goteen sobre ellos.
- Los compartimentos de alimentos congelados de dos estrellas son adecuados para almacenar alimentos precongelados, almacenar o hacer helado y hacer cubitos de hielo. (Note 2)(\*)
- Los compartimentos de una estrella, dos estrellas y tres estrellas no son adecuados para la congelación de alimentos frescos. (note 3)(\*)
- Para electrodomésticos sin compartimento de 4 estrellas: este electrodoméstico refrigerador no es adecuado para congelar alimentos.

(nota 4) (\*)

- Si el electrodoméstico refrigerador se deja vacío durante largos períodos, apáguelo, descongélelo, límpielo, séquelo y deje la puerta abierta para evitar el desarrollo de moho dentro del electrodoméstico

**Note 1,2,3,4: Confirme si es aplicable según el tipo de compartimento de su producto. (\*): Esta característica varía según el modelo comprado.**



Símbolo "4 estrellas": Congelador a -18 °C o más frío, y tiene la capacidad de congelar rápidamente una cierta cantidad de alimentos



Símbolo "3 estrellas": Compartimento del congelador a -18 °C o más frío



Símbolo "2 estrellas": Compartimento del congelador a -12 °C o más frío



Símbolo "1 estrella": Compartimento del congelador con una temperatura objetivo y condiciones de almacenamiento de -6 °C



## PRECAUCIÓN

**No se recomienda el uso de este producto con enchufes o interruptores principales con la función AFCI/GFCI, ya que puede causar falsos disparos.**

1. No supone un riesgo para la seguridad cuando se tropieza.
2. Si persisten los tropiezos, se recomienda reemplazar los enchufes o el interruptor principal sin función AFCI/GFCI.



## ADVERTENCIA

**Riesgo de atrapamiento de niños. Antes de desechar su viejo refrigerador o congelador:**

- > Quítele las puertas.
- > Deje las repisas en su lugar para que los niños no puedan treparse fácilmente.

# PROTECCIÓN AMBIENTAL

## desechar los dispositivos eléctricos antiguos de manera respetuosa con el medio ambiente



Este símbolo de contenedor con ruedas tachado indica que los productos eléctricos y electrónicos (RAEE) deben desecharse por separado del flujo de residuos municipales.

Los productos eléctricos antiguos pueden contener sustancias peligrosas, por lo que la eliminación correcta de su antiguo electrodoméstico ayudará a prevenir posibles consecuencias negativas para el medio ambiente y la salud humana. Su antiguo electrodoméstico puede contener piezas reutilizables que podrían usarse para reparar otros productos, y otros materiales valiosos que se pueden reciclar para conservar recursos limitados.



### **PRECAUCIÓN**

El refrigerante y el material de espuma de ciclopentano utilizados para el refrigerador son inflamables. Por lo tanto, cuando se desecha el refrigerador, debe mantenerse alejado de cualquier fuente de fuego y ser recuperado por una empresa especializada en recuperación con la correspondiente calificación en lugar de ser desechado por combustión, para evitar daños al medio ambiente o cualquier otro daño.

## Información del paquete



Los materiales de embalaje del producto están fabricados con materiales reciclables de acuerdo con nuestras regulaciones nacionales de medio ambiente. No deseche los materiales de embalaje junto con los residuos domésticos u otros residuos. Lívelos a los puntos de recogida de materiales de embalaje designados por las autoridades locales.

# INSTRUCCIONES DE INSTALACIÓN

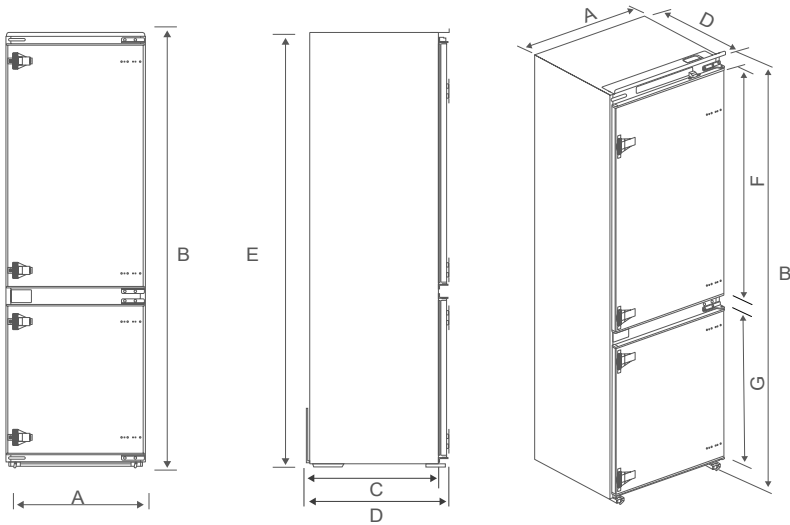
## Antes del primer uso

Retire el embalaje exterior e interior, limpie el exterior a fondo con un paño suave y seco y el interior con un paño húmedo y tibio.

Antes de conectar su refrigerador a la fuente de alimentación, verifique que el voltaje indicado en la etiqueta de clasificación de su electrodoméstico corresponda al voltaje de su hogar. Un voltaje diferente podría dañar el electrodoméstico.

El electrodoméstico debe estar conectado a tierra. El fabricante no se hace responsable de los daños que puedan ocurrir como resultado de un uso sin conexión a tierra.

## Diagrama de requisitos de espacio



A	B	C	D	E	F	G
690	1953	515	550	1937	1161	621.5

Aviso: Todas las dimensiones en mm.

El rango de la dimensión de ancho del producto es de 690 mm a 695 mm.

## Temperatura Ambiente

Dependiendo de la clase climática, este refrigerador está destinado a ser utilizado en un rango de temperatura ambiente como se especifica en la siguiente tabla.

El producto puede no funcionar correctamente a temperaturas fuera del rango específico.

Puede encontrar la clase climática en la etiqueta del producto..

clase climática	Temperatura Ambiente
SN	+10 °C a +32 °C
N	+16 °C a +32 °C
ST	+16 °C a +38 °C
T	+16 °C a +43 °C

Si tiene alguna duda sobre la instalación, consulte al vendedor, a nuestro servicio de atención al cliente o al Centro de Servicio Autorizado más cercano.



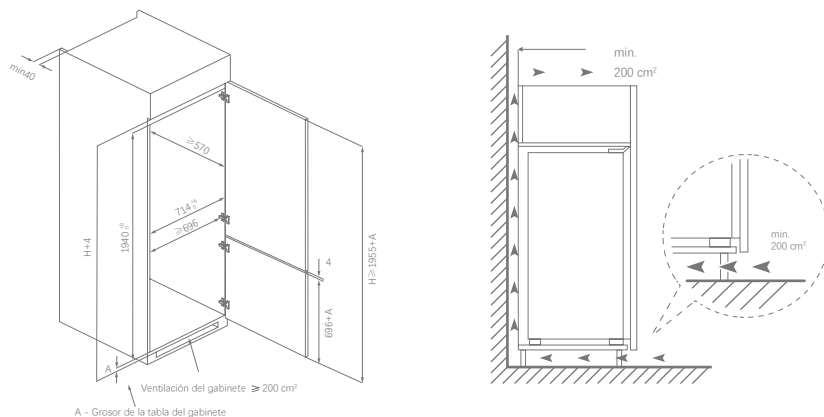
## ATENCIÓN

El rendimiento de enfriamiento y el consumo de energía del refrigerador pueden verse afectados por la temperatura ambiente, la frecuencia de apertura de la puerta y la ubicación del refrigerador. Recomendamos ajustar la configuración de temperatura según corresponda.

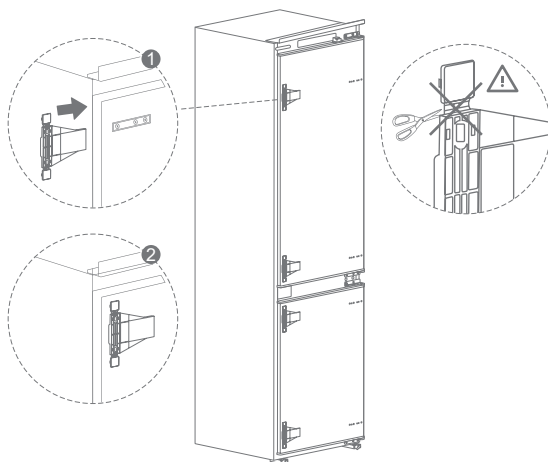
## Instalación en gabinete

### Pasos:

1. Requisito de tamaño del gabinete.

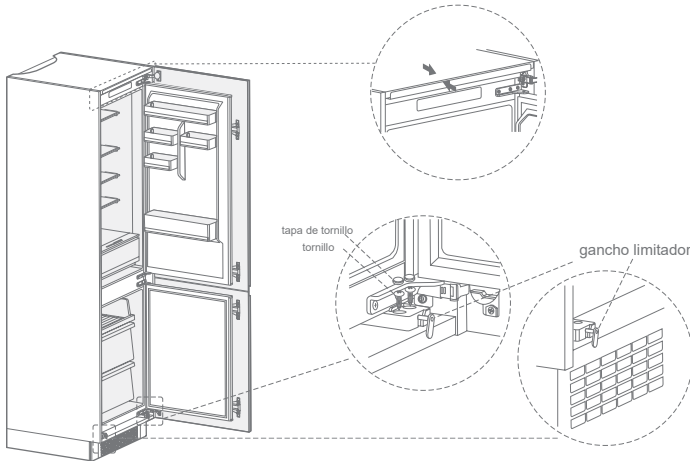


2. Instale los 4 bloques fijos del paquete de accesorios en el riel deslizante correspondiente del cuerpo de la puerta. Empuje el refrigerador dentro del gabinete y ajústelo para asegurarse de que los bordes de la placa superior toquen completamente el borde superior del gabinete y los ganchos limitadores de las patas de soporte toquen completamente el borde inferior del gabinete.

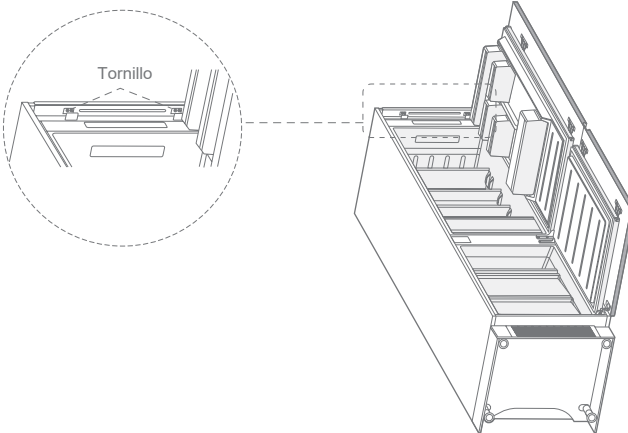


3. Fije la pata de soporte con tornillos, luego instale las tapas de los tornillos.

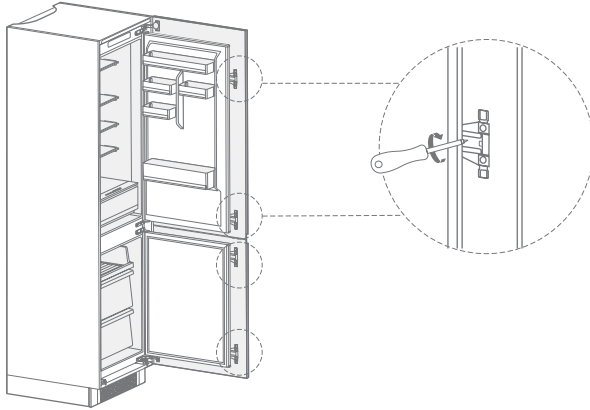
Pliegue del borde superior del deflector



4. Fije el deflector superior a la parte superior del gabinete interno con tornillos, luego instale las tapas de los tornillos.



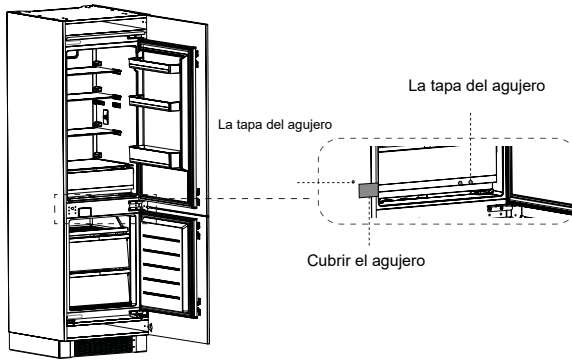
5. Abra la puerta inferior del gabinete hasta el ángulo máximo, y abra la puerta inferior del refrigerador hasta la posición correspondiente. Deslice el bloque para asegurarse de que el borde interno se alinee con el borde de la puerta inferior del refrigerador, luego fije el bloque a la puerta del gabinete con tornillo e instale las tapas de los tornillos. Fije la puerta superior del refrigerador a la puerta del gabinete de la misma manera. Intercambie la posición fija del pie ajustable y la bisagra inferior, luego fíjelos nuevamente.



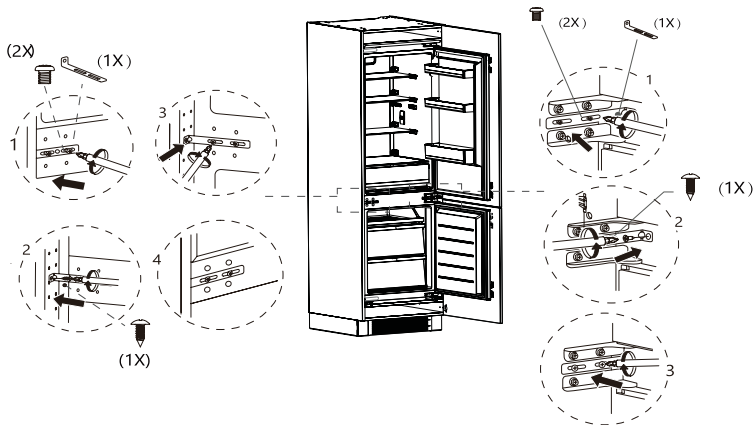
6. Saque la tira de sellado de la bolsa de accesorios y presiónela en la ranura entre el gabinete y el refrigerador. La instalación está completada.

(Soporte en L opcional)

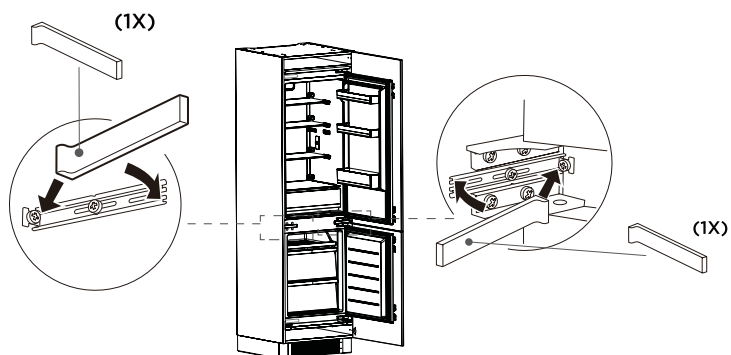
7.Retire la tapa del agujero y las tapas del refrigerere introduzca las tapas en el Otro lado.



8.Instalar el soporte en L.



9. Instale la tapa del soporte en L



## ATENCIÓN

**Precauciones antes de la instalación:** La información en el Manual de Instrucciones es solo de referencia. El producto físico puede diferir. Antes de la instalación y ajuste de accesorios, asegúrese de que el refrigerador esté desconectado de la corriente.

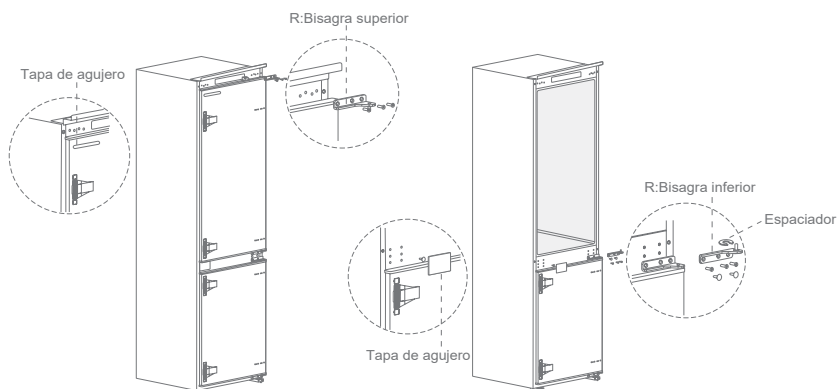
## inversión de puertas

Piezas ya montadas en el refrigerador (como se envían):

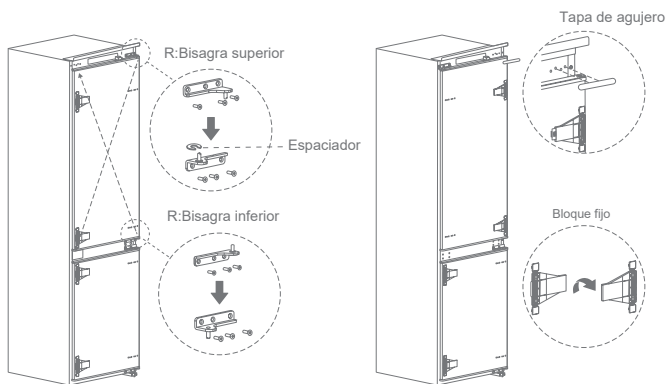


### pasos:

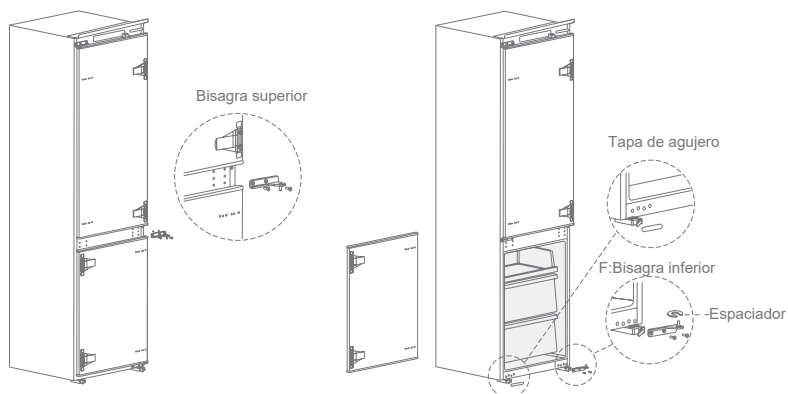
1. Apague el refrigerador y retire todos los objetos de las bandejas de la puerta.
2. Retire la bisagra superior y las tapas de agujero de la puerta del refrigerador.
3. Retire la puerta del refrigerador, el espaciador de la bisagra inferior y la cubierta del agujero.



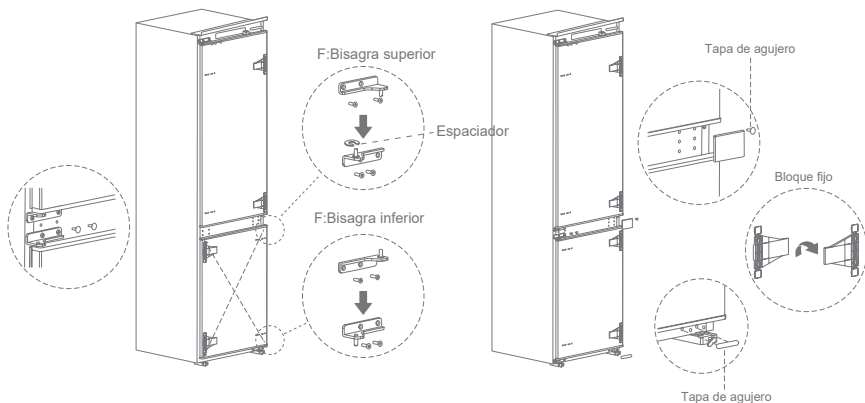
4. Intercambie la R: bisagra inferior y la R: bisagra superior, luego instélaslas según los siguientes pasos e instale las tapas de los agujeros superiores.
5. Retire los dos bloques fijos de la puerta del refrigerador y gírelos 180° e instélos en el otrolado de la puerta del refrigerador.



6. Retire la bisagra superior de la puerta del congelador.
7. Retire la puerta del congelador, el separador de la bisagra inferior y las tapas de los agujeros.



8. Intercambie la F: bisagra inferior y la F: bisagra superior, luego instálelas según los siguientes pasos e instale la cubierta del agujero superior y las tapas de los agujeros inferiores.
9. Retire los dos bloques fijos de la puerta del congelador y gírelos 180° e instálelos en el otro lado de la puerta del congelador.



## ⚠ ATENCIÓN

**Diferencias:** Debido a cambios técnicos y diferentes modelos, algunas de las ilustraciones en este manual pueden diferir de su modelo.

## Cambio de luz

Cualquier reemplazo o mantenimiento de las lámparas LED debe ser realizado por el fabricante, su agente de servicio o una persona calificada similar.

**Este producto contiene una fuente de luz de clase de eficiencia energética (G).**

Después de conectar el cable de alimentación (o enchufe) a la toma de corriente, espere 2 o 3 horas antes de colocar alimentos en el electrodoméstico. Si agrega alimentos antes de que el electrodoméstico se haya enfriado por completo, su comida puede estropearse.

## Moviendo el electrodoméstico

1. Retire todos los elementos del electrodoméstico.
2. Desenchufe el cable de alimentación, insértele y fíjelo en el gancho del enchufe de alimentación en la parte trasera o en la parte superior del electrodoméstico.
3. Fije con cinta partes como estantes y la puerta para evitar que se caigan mientras mueve el electrodoméstico.
4. Mueva el electrodoméstico con más de dos personas con cuidado. Al transportar el electrodoméstico a larga distancia, mantenga el electrodoméstico en posición vertical.

## Consejos para ahorrar energía

No coloque el electrodoméstico cerca de cocinas, radiadores u otras fuentes de calor. Si la temperatura ambiente es alta, el compresor funcionará con más frecuencia y durante más tiempo, lo que resultará en un mayor consumo de energía.

Asegúrese de que haya suficiente ventilación en la base del electrodoméstico, en los lados del electrodoméstico y en la parte posterior del electrodoméstico.

También observe las dimensiones de espaciado en el capítulo "Instalación".

La disposición de los cajones, estantes y bandejas como se muestra en la descripción del producto ofrece el uso más eficiente de la energía y debe mantenerse en la medida de lo posible.

Para obtener un espacio de almacenamiento más grande (por ejemplo, para alimentos refrigerados o congelados grandes), se pueden quitar los cajones y estantes centrales. Los cajones y estantes superiores e inferiores deben retirarse por último si es necesario.

Un compartimento de refrigerador/ congelador lleno de manera uniforme contribuye a un uso óptimo de la energía.

Permita que los alimentos calientes se enfríen antes de colocarlos en el compartimento de refrigerador /congelador. Los alimentos que ya se han enfriado aumentan la eficiencia energética.

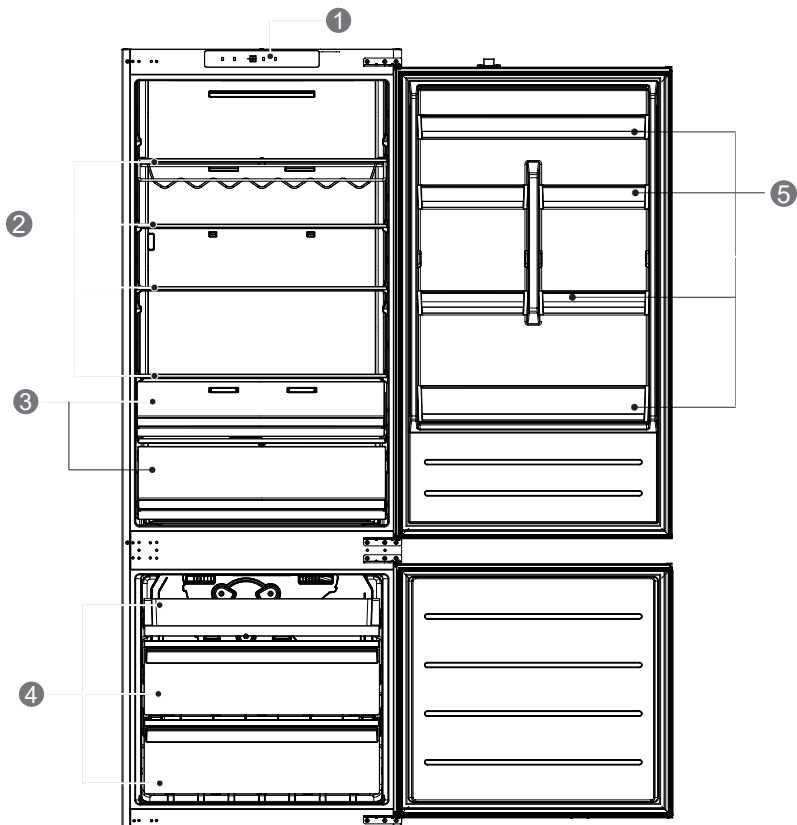
Permitir que los alimentos congelados se descongelen en el compartimento de refrigeración. La frialdad de los alimentos congelados reduce el consumo de energía en el compartimento de refrigeración y, por lo tanto, aumenta la eficiencia energética.

Abra la puerta solo lo necesario para minimizar la pérdida de frío. Abrir la puerta brevemente y cerrarla correctamente reduce el consumo de energía.

Establecer la temperatura no más fría de lo necesario contribuye a un uso óptimo de la energía. Las juntas de la puerta de su electrodoméstico deben estar perfectamente intactas para que las puertas cierren correctamente y el consumo de energía no se incremente innecesariamente.

# VISIÓN GENERAL DEL PRODUCTO

## Piezas y funciones



- |   |                           |   |                   |
|---|---------------------------|---|-------------------|
| 1 | Control de temperatura    | 2 | Estante de vidrio |
| 3 | Caja de frutas y verduras | 4 | Cajón             |
| 5 | Bandeja de la puerta      |   |                   |

> Para el uso más eficiente de la energía, por favor mantenga todos los elementos internos como bandejas, cajones, estantes y caja de cubitos de hielo en la posición suministrada por el fabricante.

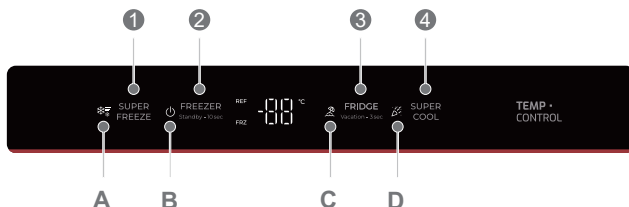
### ATENCIÓN

**Diferencias:** Debido a cambios técnicos y diferentes modelos, algunas de las ilustraciones en este manual pueden diferir de su modelo.

# INSTRUCCIONES DE OPERACIÓN

## uso y funciones

### Panel de características



### pantalla de visualización

- A Indicador de modo de Super congelación
- B Indicador de espera
- C Indicador de modo de vacaciones
- D Indicador de modo de Super enfriamiento

### Botón

- |                   |                    |
|-------------------|--------------------|
| 1 Botón SUPER FRZ | 2 Botón CONGELADOR |
| 3 Botón NEVERA    | 4 Botón SUPER COOL |

## ATENCIÓN

No use objetos afilados para operar el panel de control. Pueden rayar o dañar el panel de control.

### pantalla

Cuando el refrigerador se enciende por primera vez, la pantalla se muestra completamente durante 3 segundos, sonando la campana de encendido al mismo tiempo. El área de visualización digital entra en la visualización de operación normal. La temperatura predeterminada del compartimento del refrigerador es de 5°C, y la temperatura predeterminada del compartimento del congelador es de -20°C.

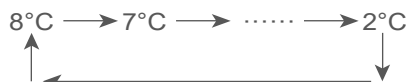
Cuando se ajusta la temperatura o se establece el modo, el ajuste surte efecto después de no operar durante 15 segundos, y el área de visualización digital se apaga después de no operar durante otros 15 segundos.

Cuando se apaga el área de visualización digital, abrir la puerta del compartimento del refrigerador o presionar cualquier botón puede iluminar el área de visualización digital.

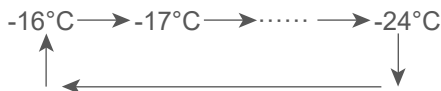
### Ajuste de temperatura

Presione el botón de NEVERA para ajustar la temperatura del compartimento del refrigerador. El área de visualización digital muestra la temperatura establecida del compartimento del refrigerador (2 - 8°C).

Cada vez que presione el botón, el valor de la temperatura se reduce en 1°C. Después de alcanzar la temperatura más baja, presione el botón nuevamente para pasar a la temperatura más alta.



Presione el botón del CONGELADOR para ajustar la temperatura del compartimento del congelador. El área de visualización digital muestra la temperatura establecida del compartimento del congelador (-24 - -16°C). Cada vez que presione el botón, el valor de la temperatura se reduce en 1°C. Después de alcanzar la temperatura más baja, presione el botón nuevamente para cambiar a la temperatura más alta.



### modo de espera

Presione y mantenga presionado el botón del CONGELADOR durante 10 segundos para entrar en el modo de espera, y el indicador de Espera se enciende, los demás se apagan. El refrigerador deja de funcionar.

En el modo de espera, presione y mantenga presionado el botón del CONGELADOR durante 10 segundos para salir del modo de espera, y el área de visualización digital vuelve al estado de visualización antes de que se estableciera el modo de espera.

### modo súper frío

Presione el botón de SÚPER FRÍO para entrar en el modo de súper frío, y el indicador del modo de súper frío se enciende. El área de visualización digital muestra 2°C.

En el modo de súper frío, después de presionar el botón de SÚPER FRÍO o el botón de FRIGORÍFICO o después de funcionar durante 6 horas, el indicador del modo de súper frío se apaga y se sale del modo de súper frío, la temperatura establecida de la cámara de refrigeración volverá automáticamente a la establecida antes de entrar en el modo de súper frío.

### modo de super congelación

Presione el botón SUPPER FRZ para entrar en el modo de super congelación, el indicador del modo de super congelación se enciende y el área de visualización digital muestra -24°C.

En el modo de super congelación, presione el botón SUPPER FRZ o el botón FREEZER o espere 40 horas, el indicador del modo de super congelación se apaga y se sale del modo de super congelación, la temperatura establecida de la cámara del congelador volverá automáticamente a la establecida antes de entrar en el modo de super congelación.

### modo de vacaciones

Presione y mantenga presionado el botón FRIDGE durante 3 segundos para entrar en el modo de vacaciones y el indicador del modo de vacaciones se enciende. El compartimento del refrigerador está cerrado y el área de visualización digital muestra "--". El compartimento del congelador está configurado en -20°C. El ajuste de temperatura no está disponible y no se puede configurar el modo de súper enfriamiento/súper congelación.

Presione y mantenga presionado el botón FRIDGE durante 3 segundos, el indicador del modo de vacaciones se apaga y se sale del modo de vacaciones. El área de visualización digital vuelve al estado de visualización antes de que se estableciera el modo de vacaciones.

## alarma de tiempo de puerta abierta

Cuando la puerta del compartimento del refrigerador está abierta durante 120 segundos sin cerrarse, la alarma de la sirena suena. Cierre la puerta o presione cualquier botón para detener la alarma.

## Indicación de falla

Las siguientes advertencias que aparecen en la pantalla indican fallas correspondientes del refrigerador. Aunque el refrigerador aún puede tener función de congelación con las siguientes fallas, el usuario deberá contactar a un especialista en mantenimiento para el mantenimiento, a fin de garantizar el uso normal del refrigerador.

Código de falla	Descripción de la falla
E1	Falla del sensor de temperatura del compartimento del refrigerador
E2	Falla del sensor de temperatura del compartimento del congelador
E5	Falla del sensor de escarcha del congelador
E6	Falla de comunicación de la placa PCB de control principal y la placa PCB de visualización
E7	Falla del sensor de temperatura ambiente
L4	Fallo anormal de la velocidad del ventilador de congelación
L5	Fallo del ventilador del condensador
L6	Fallo anormal de la velocidad del ventilador del condensador

## Almacenamiento de alimentos

### Compartimento del congelador

El compartimento del congelador está designado para la congelación a baja temperatura de alimentos, almacenamiento a largo plazo de alimentos congelados y para la producción de cubitos de hielo.

Preste atención a las clasificaciones de estrellas (4 estrellas, 2 estrellas y 1 estrella) en el compartimento del congelador y los períodos de almacenamiento resultantes para alimentos congelados.

No ponga alimentos frescos y congelados uno al lado del otro. Los alimentos congelados pueden descongelarse.

Cuando congele grandes cantidades de alimentos frescos (como carne, pescado o carne picada), divídalos en varias piezas pequeñas antes de ponerlos, para que puedan congelarse rápidamente y recogerlos fácilmente.

Cumpla con los tiempos de almacenamiento recomendados por los fabricantes de alimentos en los paquetes, si no hay información en el empaque, los alimentos no deben almacenarse congelados por más de tres meses a partir de la fecha de compra.

Al comprar alimentos congelados, asegúrese de que se hayan congelado a una temperatura adecuada y que el envase no esté dañado.

Los alimentos congelados deben mantenerse en paquetes individuales adecuados para garantizar que los alimentos adyacentes no se contaminen.

Consuma los alimentos descongelados de inmediato, no los vuelva a congelar.

En caso de una falla prolongada de energía o mal funcionamiento del electrodoméstico, retire los alimentos congelados almacenados y verifique si aún son comestibles, luego guárdelos en un lugar suficientemente fresco o en otro electrodoméstico.

Para descongelar alimentos, retírelos del congelador y déjelos descongelar a temperatura ambiente o en el refrigerador. Para descongelar alimentos rápidamente, puede usar la función de descongelación de su microondas, por ejemplo.

Si solo desea descongelar parte de un paquete, retire la porción que necesita y cierre inmediatamente el resto del paquete. De esta manera, evitará la "quemadura del congelador" y reducirá la formación de hielo en los alimentos restantes.

### Compartimento de enfriamiento

Para reducir la humedad y la acumulación de hielo subsiguiente, nunca ponga líquidos en el compartimento del refrigerador en recipientes sin sellar.

El hielo tiende a concentrarse en las partes más frías del evaporador. Almacenar líquidos sin cubrir resulta en una necesidad más frecuente de descongelación.

Nunca ponga alimentos calientes en el compartimento del refrigerador. Estos deben enfriarse primero a temperatura ambiente y luego colocarse de manera que se asegure una adecuada circulación de aire en el compartimento del refrigerador.

Los alimentos o recipientes de alimentos no deben tocar la pared trasera del refrigerador porque podrían congelarse a la pared. No mantenga abriendo regularmente la puerta del refrigerador.

La carne y el pescado limpio (empacados en un paquete o papel plástico) se pueden colocar en el compartimento del refrigerador, que se puede usar en 1-2 días.

Las frutas y verduras sin empaque se pueden colocar en la parte designada para frutas y verduras frescas.

### ATENCIÓN

El almacenamiento de demasiada comida durante la operación después de la conexión inicial a la energía puede afectar negativamente el efecto de congelación del refrigerador.

### Tiempos de almacenamiento y temperatura

Nota: El almacenamiento prolongado o el almacenamiento a una temperatura inapropiada de congelación pueden causar una pérdida de calidad o alimentos estropeados, lo que provoca desperdicio de alimentos, es incomedible y puede causar intoxicación alimentaria. La temperatura mínima en la mayoría de los casos debe ser de -18°C o más fría.

Siga los tiempos máximos recomendados de almacenamiento a continuación:

- > Estofado, helado, salchichas, pan: 2-6 meses.
- > Pescado, camarones, cordero, carne: 4-8 meses.
- > Verduras, frutas, aves, carne de res: 6-12 meses.

# MANTENIMIENTO Y LIMPIEZA



## PRECAUCIÓN

Desconecte el electrodoméstico de la fuente de alimentación eléctrica antes de realizar cualquier mantenimiento de rutina. Espere al menos 5 minutos antes de volver a encender el electrodoméstico, ya que el arranque frecuente puede dañar el compresor. Sujete el enchufe, no el cable, al desenchufar el electrodoméstico.

No raspe la escarcha y el hielo con objetos afilados. No use aerosoles, calentadores eléctricos como calefactor, secador de pelo, limpiadores a vapor u otras fuentes de calor para evitar dañar las piezas de plástico.

Elimine el polvo en la parte posterior del aparato al menos una vez al año para evitar riesgos de incendio, así como un aumento en el consumo de energía.

Revise regularmente la junta de la puerta para asegurarse de que no haya restos. Limpie la junta de la puerta con un paño suave humedecido con agua jabonosa o detergente diluido.

El interior del producto debe limpiarse regularmente para evitar olores.

Use un paño suave o una esponja para limpiar el interior del producto, con dos cucharadas de bicarbonato de sodio y un litro de agua tibia. Luego enjuague con agua y limpie. Después de limpiar, abra la puerta y deje que se seque naturalmente antes de encender la energía.

Para las áreas que son difíciles de limpiar en el producto (como sándwiches estrechos, espacios o esquinas), se recomienda limpiarlos regularmente con un paño suave, un cepillo suave, etc. y cuando sea necesario, combinado con algunas herramientas auxiliares (como pabillos delgados) para asegurar que no haya acumulación de contaminantes o bacterias en estas áreas.

No use jabón, detergente, polvo para fregar, limpiador en aerosol, etc., ya que pueden causar olores en el interior del producto o alimentos contaminados.

Limpie la superficie exterior del producto con un paño suave humedecido en agua con jabón, detergente, etc., y luego séquelo. No use cepillos duros, bolas de acero limpias, cepillos de alambre, abrasivos (como pastas de dientes), solventes orgánicos (como alcohol, acetona, acetato de isoamilo, etc.), agua hirviendo, artículos ácidos o alcalinos, que pueden dañar la superficie y el interior del refrigerador.

El agua hirviendo y los solventes orgánicos como el benceno pueden deformar o dañar las

piezas de plástico.



No enjuague directamente con agua u otros líquidos durante la limpieza para evitar cortocircuitos o afectar el aislamiento eléctrico después de la inmersión.

## ATENCIÓN

El electrodoméstico funcionará continuamente una vez que se haya iniciado. En general, el funcionamiento del electrodoméstico no debe interrumpirse; de lo contrario, la vida útil puede verse afectada.

## Descongelación

Aunque este electrodoméstico se descongela automáticamente, puede formarse una capa de escarcha en las paredes interiores del compartimento del congelador si se abre la puerta con frecuencia o se mantiene abierta durante demasiado tiempo. Si la escarcha es demasiado gruesa, elija un momento en el que el suministro de alimentos sea bajo y proceda de la siguiente manera:

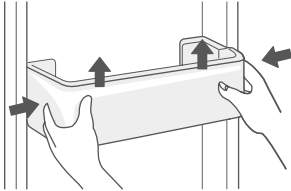
1. Retire los alimentos y las cestas de accesorios existentes, desenchufe el electrodoméstico de la corriente eléctrica y deje las puertas abiertas. Ventile la habitación a fondo para acelerar el proceso de descongelación.
2. Cuando se complete la descongelación, limpie su congelador como se describe arriba.

**¡PRECAUCIÓN!** No use objetos afilados para quitar la escarcha del congelador. Solo después de que el interior esté completamente seco, se debe volver a encender el electrodoméstico y enchufarlo de nuevo en el enchufe de la corriente eléctrica.

### limpieza de la bandeja de la puerta

Según la flecha de dirección en la figura a continuación, use ambas manos para apretar la bandeja y empujar hacia arriba, luego podrá sacarla.

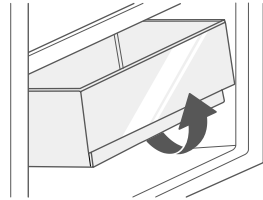
Después de lavar la bandeja que ha sido sacada, puedes ajustar su altura de instalación de acuerdo a tus necesidades.



### limpieza del cajón de verduras

Vacía el contenido del cajón. Agarra el mango del cajón de verduras y tira de él completamente hasta que se detenga.

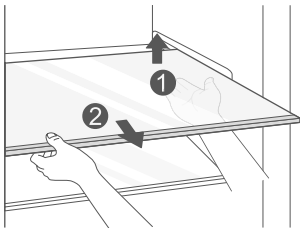
Levanta el cajón de verduras y sácalo tirando de él hacia afuera.



### limpieza del estante de vidrio

Como la parte más interna del refrigerador donde contacta con los estantes tiene un tope, debes elevar los estantes hacia arriba, luego podrás sacarlo.

Ajusta o limpia los estantes según tus necesidades.



### ⚠ ATENCIÓN

**Diferencias:** Debido a cambios técnicos y diferentes modelos, algunas de las ilustraciones en este manual pueden diferir de tu modelo.

# SOLUCIÓN DE PROBLEMAS

Los siguientes problemas simples pueden ser manejados por el usuario. Por favor, llame al departamento de servicio postventa si los problemas no se resuelven.

Problem	Posibles causas	Solución
No funciona	<ul style="list-style-type: none"> <li>La fuente de alimentación no está encendida y el enchufe no está firmemente insertado.</li> <li>Bajo voltaje, fallo de energía o parte del circuito desconectado.</li> </ul>	<ul style="list-style-type: none"> <li>Inserte el enchufe del cable de alimentación firmemente.</li> <li>Compruebe el suministro eléctrico en casa.</li> </ul>
La luz no está encendida.	<ul style="list-style-type: none"> <li>El electrodoméstico no está encendido.</li> <li>La luz está rota.</li> </ul>	<ul style="list-style-type: none"> <li>Desenchufe y vuelva a enchufar el cable de alimentación.</li> <li>Reemplace la luz con una nueva.</li> </ul>
Frutas o verduras están congeladas.	<ul style="list-style-type: none"> <li>¿Se ha colocado la comida en la parte trasera de la nevera? La zona cerca de la pared trasera es donde las temperaturas son más frías.</li> <li>Las frutas o verduras se almacenan en la zona Fresh/Chill.</li> </ul>	<ul style="list-style-type: none"> <li>No coloque alimentos que puedan congelarse fácilmente en la parte trasera del compartimento de la nevera.</li> <li>La zona Fresh/Chill es solo para carne/pescado.</li> </ul>
El frigorífico/ congelador está sobreenfriando	<ul style="list-style-type: none"> <li>El control de temperatura no está configurado correctamente</li> </ul>	<ul style="list-style-type: none"> <li>Configure la temperatura más alta.</li> </ul>
El compresor está funcionando durante mucho tiempo	<ul style="list-style-type: none"> <li>La temperatura ambiente alta causa un tiempo de trabajo prolongado.</li> <li>Poner demasiada comida de una sola vez.</li> <li>Se pone la comida antes de que se enfríe.</li> <li>Abrir la puerta con demasiada frecuencia.</li> <li>La capa de escarcha en el interior es demasiado gruesa.</li> </ul>	<ul style="list-style-type: none"> <li>Esto es normal.</li> <li>No ponga demasiada comida de una sola vez.</li> <li>Espere hasta que la comida se haya enfriado antes de ponerla.</li> <li>No abra la puerta con demasiada frecuencia.</li> <li>Necesita descongelarse.</li> </ul>
La puerta no cierra correctamente	<ul style="list-style-type: none"> <li>La puerta está atascada con objetos.</li> <li>Demasiada comida adentro.</li> <li>La junta de la puerta está deformada.</li> </ul>	<ul style="list-style-type: none"> <li>No ponga demasiada comida.</li> <li>Coloque el electrodoméstico de manera estable.</li> <li>Caliente la junta de la puerta y luego enfriela para restaurarla (con un secador eléctrico o agua caliente para calentarla).</li> </ul>
La pared exterior está caliente.	<ul style="list-style-type: none"> <li>Cuando el electrodoméstico está en funcionamiento, el calor se disipa al exterior a través de los tubos metálicos dentro del gabinete.</li> <li>Las temperaturas ambientales más altas en verano hacen que la temperatura de la pared exterior aumente.</li> </ul>	<ul style="list-style-type: none"> <li>Una temperatura más alta en la pared exterior es normal.</li> <li>Aumente el espacio de disipación de calor o coloque el electrodoméstico en un lugar ventilado y fresco.</li> </ul>
Las vigas cruzadas o verticales están calientes	<ul style="list-style-type: none"> <li>Hay tubos metálicos dentro de las vigas, y el calor liberado por los tubos evita la condensación.</li> </ul>	<ul style="list-style-type: none"> <li>Esto es normal.</li> </ul>
Olores	<ul style="list-style-type: none"> <li>Comida en mal estado</li> <li>Comida con olores fuertes</li> <li>El compartimento interior está sucio.</li> </ul>	<ul style="list-style-type: none"> <li>Limpie y retire cualquier alimento en mal estado.</li> <li>Asegúrese de que la comida con olor fuerte esté envuelta herméticamente.</li> <li>Limpie el compartimento interior.</li> </ul>
Se forma condensación en el exterior	<ul style="list-style-type: none"> <li>La condensación puede formarse cuando la humedad en la habitación es alta</li> </ul>	<ul style="list-style-type: none"> <li>Esto es normal. Limpie la condensación con un paño seco.</li> </ul>

Problem	Posibles causas	Solución
Se forma condensación dentro del refrigerador y los cajones.	<ul style="list-style-type: none"> <li>• El refrigerador mantiene una alta humedad para mantener frescas las verduras y otros alimentos.</li> <li>• La humedad es demasiado alta en la habitación y las puertas se han abierto con frecuencia.</li> <li>• Las juntas de la puerta no están ajustadas.</li> </ul>	<ul style="list-style-type: none"> <li>• Limpie la condensación con un paño seco.</li> <li>• No abra las puertas con frecuencia o no las mantenga abiertas por mucho tiempo.</li> <li>• Verifique la junta de la puerta, limpie o corrija su posición.</li> </ul>

**Se pueden escuchar ciertos sonidos durante el uso normal del refrigerador, los cuales no afectan su correcto funcionamiento.**

**sonidos que se pueden prevenir fácilmente:**

- > Ruido causado por el electrodoméstico que no está nivelado - ajuste la posición con los pies ajustables delanteros. Alternativamente, coloque almohadillas hechas de material suave debajo de los rodillos traseros, especialmente cuando el electrodoméstico se coloca sobre baldosas.
- > Toque el mueble adyacente - aleje el refrigerador.
- > Rechinido de los cajones o estantes - saque y vuelva a colocar el cajón o estante.
- > Sonidos de botellas tintineando - mueva las botellas aparte.

Los sonidos escuchados durante el uso normal se deben principalmente a la operación del compresor (encendido) y al sistema de enfriamiento (expansión térmica y contracción del radiador causada por el flujo del agente de enfriamiento).

**nota:**

- > El consumo de energía especificado se basa en una profundidad de gabinete de 575 mm. El producto también funciona normalmente en una profundidad de gabinete de menos de 570 mm, lo que consume más energía.

**reclamo de intervalo de descongelación**

Temperatura ambiental	Intervalo entre dos ciclos de descongelación	Tiempo	condiciones específicas
32C	Mínimo dos intervalos de descongelación ( $\Delta t_{d-min}$ )	12h	Uso intensivo, apertura frecuente de puertas
	Máximo dos intervalos de descongelación ( $\Delta t_{d-max}$ )	96h	Bajo condiciones de baja humedad, no hay acción de apertura de puerta y no se establece ningún modo especial

# APÉNDICE

## Especial para el nuevo estándar europeo

Las piezas ordenadas en la siguiente tabla pueden ser adquiridas a través del canal del proveedor de servicios

Pieza ordenada	Proporcionado por	Tiempo mínimo requerido para la provisión
Termostatos	Personal de mantenimiento profesional	Al menos 7 años después de que se lance el último modelo en el mercado
Sensores de temperatura	Personal de mantenimiento profesional	Al menos 7 años después de que se lance el último modelo en el mercado
Placas de circuito impreso	Personal de mantenimiento profesional	Al menos 7 años después de que se lance el último modelo en el mercado
Fuentes de luz	Personal de mantenimiento profesional	Al menos 7 años después de que se lance el último modelo en el mercado
Fuentes de luz	Reparadores profesionales y usuarios finales	Al menos 7 años después de que se lance el último modelo en el mercado
Bisagras de puerta	Reparadores profesionales y usuarios finales	Al menos 7 años después de que se lance el último modelo en el mercado
Bandejas	Reparadores profesionales y usuarios finales	Al menos 7 años después de que se lance el último modelo en el mercado
Cestas	Reparadores profesionales y usuarios finales	Al menos 7 años después de que se lance el último modelo en el mercado
Juntas de puerta	Reparadores profesionales y usuarios finales	Al menos 10 años después de que se lance el último modelo en el mercado

### Estimado cliente

1.Si desea devolver o reemplazar el producto, por favor contacte la tienda donde lo compró. (Recuerde traer la factura de compra)

2.Si su producto se descompone y necesita reparación, por favor contacte al proveedor de servicio postventa.

### ATENCIÓN

La información del modelo en la base de datos del producto, así como el identificador del modelo, se pueden obtener a través de un enlace web escaneado por un código QR, si lo hay, en la etiqueta de eficiencia energética del producto.

Para obtener más información sobre la eficiencia energética del electrodoméstico, visite <https://eprel.ec.europa.eu> y busque utilizando el nombre del modelo.

El nombre del modelo se puede encontrar en la etiqueta de clasificación del electrodoméstico







# Contenu

<b>INSTRUCTIONS DE SÉCURITÉ IMPORTANTES .....</b>	<b>2</b>
<b>PROTECTION DE L'ENVIRONNEMENT .....</b>	<b>5</b>
<b>INSTRUCTIONS D'INSTALLATION.....</b>	<b>6</b>
Installation dans un meuble.....	7
inversion des portes.....	12
Déplacement de l'appareil .....	14
Changement de la lumière.....	14
Conseils pour économiser de l'énergie.....	14
<b>APERÇU DU PRODUIT.....</b>	<b>15</b>
Pièces et fonctions .....	15
<b>INSTRUCTIONS D'UTILISATION.....</b>	<b>16</b>
utilisation et fonctions .....	16
Stockage de nourriture.....	19
<b>ENTRETIEN ET NETTOYAGE.....</b>	<b>20</b>
<b>DÉPANNAGE.....</b>	<b>22</b>
<b>ANNEXE.....</b>	<b>24</b>
Spécial pour la nouvelle norme européenne .....	24

## Avant de mettre en marche l'appareil pour la première fois, lisez les consignes de sécurité suivantes!

- > Cet appareil est destiné à être utilisé dans des applications domestiques et similaires telles que les cuisines du personnel dans les magasins, les bureaux et autres environnements de travail ; les fermes et par les clients dans les hôtels, motels et autres environnements résidentiels ; les environnements de type bed and breakfast ; la restauration et les applications similaires non commerciales.
- > Cet appareil n'est pas destiné à être utilisé par des personnes (y compris des enfants) ayant des capacités physiques, sensorielles ou mentales réduites, ou un manque d'expérience et de connaissances, sauf s'ils ont été supervisés ou instruits sur l'utilisation de l'appareil par une personne responsable de leur sécurité.

### Explication des termes/symboles

	<b>DANGER</b> Ce symbole indique qu'il y a des dangers pour la vie et la santé des personnes en raison d'un gaz extrêmement inflammable.
	<b>AVERTISSEMENT</b> Le mot de signalisation indique un danger avec un niveau de risque moyen qui, s'il n'est pas évité, peut entraîner la mort ou des blessures graves.
	<b>ATTENTION</b> Le mot de signalisation indique un danger avec un faible degré de risque qui, s'il n'est pas évité, peut entraîner des blessures mineures ou modérées.
	<b>ATTENTION</b> Le mot de signalisation indique des informations importantes (par exemple, des dommages matériels), mais pas de danger.

**IMPORTANT:** Prêtez une attention particulière aux messages contenant les mots **DANGER**, **AVERTISSEMENT** ou **ATTENTION**. Ces mots sont utilisés pour vous alerter d'un danger potentiel qui peut vous blesser gravement, ainsi que les autres.

Les instructions vous indiqueront comment réduire les risques de blessure et vous informeront de ce qui peut arriver si les instructions ne sont pas suivies.

**ATTENTION:** Ces instructions d'utilisation sont générales. Cela signifie que certaines fonctions s'appliquent à votre réfrigérateur / congélateur, tandis que d'autres ne le font pas.

Nous travaillons constamment sur le développement et l'amélioration de nos types et modèles d'appareils. Par conséquent, nous nous réservons le droit d'apporter des modifications à la conception, à l'équipement et aux accessoires de tous les types et modèles sans préavis.

# INSTRUCTIONS DE SÉCURITÉ IMPORTANTES

LISEZ ET CONSERVEZ CES INSTRUCTIONS !



## **AVERTISSEMENT: Risque d'incendie / matériau inflammable**

Le réfrigérant et le matériau moussant au cyclopentane utilisés pour l'appareil sont inflammables. Par conséquent, lorsque l'appareil est mis au rebut, il doit être éloigné de toute source de feu et récupéré par une entreprise de récupération spéciale ayant les qualifications correspondantes plutôt que d'être éliminé par combustion, afin d'éviter tout dommage à l'environnement ou tout autre préjudice.



## **AVERTISSEMENT**

### **Sécurité générale**

- > Les enfants doivent être surveillés pour éviter qu'ils ne jouent avec l'appareil électroménager.
- > Si le cordon d'alimentation est endommagé, il doit être remplacé par le fabricant, son agent de service ou des personnes qualifiées similaires afin d'éviter un danger.
- > Ne pas stocker de substances explosives telles que des aérosols avec un propulseur inflammable dans cet appareil électroménager.
- > L'appareil doit être débranché après utilisation et avant toute opération de maintenance utilisateur sur l'appareil électroménager.
- > **AVERTISSEMENT:** Maintenir les ouvertures de ventilation, dans l'enceinte de l'appareil électroménager ou dans la structure intégrée, dégagées de toute obstruction.
- > **AVERTISSEMENT:** N'utilisez pas de dispositifs mécaniques ou d'autres moyens pour accélérer le processus de dégivrage, sauf ceux recommandés par le fabricant..
- > **AVERTISSEMENT:** Ne pas endommager le circuit de réfrigérant.
- > **WARNING:** Ne pas utiliser d'appareils électriques à l'intérieur des compartiments de stockage des aliments de l'appareil, à moins qu'ils ne soient du type recommandé par le fabricant.
- > **AVERTISSEMENT:** Veuillez abandonner le réfrigérateur conformément aux réglementations locales car il utilise un gaz soufflant et un réfrigérant inflammables.
- > **AVERTISSEMENT:** Lors de la position de l'appareil, assurez-vous que le cordon d'alimentation n'est pas piégé ou endommagé.
- > **AVERTISSEMENT:** Ne pas placer plusieurs prises de courant portables ou alimentations portables à l'arrière de l'appareil.
- > Ne pas utiliser de rallonges ou d'adaptateurs non mis à la terre (à deux broches).
- > Pour éviter un danger dû à l'instabilité de l'appareil, il doit être fixé conformément aux instructions.
- > Le réfrigérateur doit être déconnecté de la source d'alimentation électrique avant toute tentative d'installation d'accessoire. Assurez-vous que le câble d'alimentation n'est pas coincé par le réfrigérateur. Ne marchez pas sur le câble d'alimentation.



## ATTENTION

### utilisation quotidienne

- > Ne tirez pas sur le cordon d'alimentation lorsque vous retirez la fiche du réfrigérateur. Veuillez saisir fermement la fiche et la retirer directement de la prise.
- > Pour assurer une utilisation sûre, ne pas endommager le cordon d'alimentation ou utiliser le cordon d'alimentation lorsqu'il est endommagé ou usé.
- > Veuillez utiliser une prise de courant dédiée et la prise de courant ne doit pas être partagée avec d'autres appareils électriques.
- > La fiche d'alimentation doit être fermement en contact avec la prise, sinon des incendies pourraient être causés.
- > Veuillez vous assurer que l'électrode de mise à la terre de la prise de courant est équipée d'une ligne de mise à la terre fiable.
- > Veuillez fermer la vanne du gaz qui fuit, puis ouvrir les portes et les fenêtres en cas de fuite de gaz et d'autres gaz inflammables.
- > Ne débranchez pas le réfrigérateur et autres appareils électriques en considérant que l'étincelle peut causer un incendie.
- > Ne pas utiliser d'appareils électriques sur le dessus de l'appareil, sauf s'ils sont du type recommandé par le fabricant.
- > Les espaces entre les portes du réfrigérateur et entre les portes et le corps du réfrigérateur sont petits, veuillez noter de ne pas mettre votre main dans ces zones pour éviter de vous pincer les doigts. S'il vous plaît, soyez doux lorsque vous fermez la porte du réfrigérateur pour éviter la chute d'articles.
- > Ne prenez pas d'aliments ou de contenants avec des mains mouillées dans la chambre de congélation lorsque le réfrigérateur fonctionne, en particulier des contenants en métal afin d'éviter les engelures.
- > Ne laissez aucun enfant entrer ou grimper sur le réfrigérateur; sinon, une suffocation ou une blessure par chute de l'enfant peut être causée.
- > Ne placez pas d'objets lourds sur le dessus du réfrigérateur car ils pourraient tomber lors de l'ouverture ou de la fermeture de la porte, causant ainsi des blessures accidentelles.
- > Ne mettez pas d'articles inflammables, explosifs, volatils et hautement corrosifs dans le réfrigérateur pour éviter d'endommager le produit ou de causer des accidents d'incendie.
- > Ne placez pas d'articles inflammables près du réfrigérateur pour éviter les incendies.
- > Le réfrigérateur est destiné à un usage domestique, tel que le stockage d'aliments; il ne doit pas être utilisé à d'autres fins, telles que le stockage de sang, de médicaments ou de produits biologiques, etc.
- > Ne stockez pas de bière, de boissons ou d'autres liquides contenus dans des bouteilles ou des récipients fermés dans la chambre de congélation du réfrigérateur; sinon, les bouteilles ou les récipients fermés pourraient se fissurer en raison du gel et causer des dommages.



## AVERTISSEMENT

Pour la norme européenne:

**Cet appareil peut être utilisé par des enfants âgés de 8 ans et plus et par des personnes ayant des capacités physiques, sensorielles ou mentales réduites ou un manque d'expérience et de connaissances si elles ont été supervisées ou instruites sur l'utilisation de l'appareil de manière sûre et comprennent les dangers impliqués. Les enfants ne doivent pas jouer avec l'appareil. Le nettoyage et l'entretien de l'utilisateur ne doivent pas être effectués par des enfants sans surveillance.**

**Pour éviter la contamination des aliments, veuillez respecter les instructions suivantes:**

- Ouvrir la porte pendant de longues périodes peut entraîner une augmentation significative de la température dans les compartiments de l'appareil.
- Nettoyez régulièrement les surfaces qui peuvent entrer en contact avec les aliments et les systèmes de drainage accessibles.
- Nettoyez les réservoirs d'eau s'ils n'ont pas été utilisés pendant 48 heures; rincez le système d'eau connecté à une alimentation en eau si l'eau n'a pas été prélevée pendant 5 jours. **(Note 1)(\*)**
- Stockez la viande crue et le poisson dans des récipients appropriés dans le réfrigérateur, afin qu'ils ne soient pas en contact avec d'autres aliments ou qu'ils ne gouttent sur eux.
- Les compartiments de congélation deux étoiles sont adaptés pour stocker des aliments pré congelés, faire de la crème glacée et des glaçons. **(Note 2)(\*)**
- Les compartiments une étoile, deux étoiles et trois étoiles ne conviennent pas à la congélation d'aliments frais. **(note 3)(\*)**
- Pour les appareils sans compartiment quatre étoiles : cet appareil réfrigérant n'est pas adapté à la congélation d'aliments. **(note 4)(\*)**

Si l'appareil réfrigérant est laissé vide pendant de longues périodes, éteignez-le, dégivrez-le, nettoyez-le ,

séchez-le et laissez la porte ouverte pour éviter que de la moisissure ne se développe à l'intérieur de l'appareil.

**Note 1,2,3,4 : Veuillez confirmer si elle est applicable selon le type de compartiment de votre produit.**

**(\*) : Cette fonctionnalité varie en fonction du modèle acheté.**



Symbole "4 étoiles" : Congélateur à -18 °C ou plus froid, et il a la capacité de congeler rapidement une certaine quantité d'aliments.



Symbole "3 étoiles" : compartiment congélateur à -18 °C ou plus froid



Symbole "2 étoiles" : compartiment congélateur à -12 °C ou plus froid



Symbole "1 étoile" : compartiment congélateur avec une température cible et des conditions de stockage de -6 °C



## ATTENTION

**Ce produit n'est pas recommandé pour une utilisation avec des prises ou des interrupteurs principaux avec la fonction AFCI/GFCI, sinon cela peut causer des déclenchements intempestifs.**

1. Cela ne pose pas de risque pour la sécurité en cas de déclenchement.
2. Si les déclenchements intempestifs persistent , il est recommandé de remplacer les prises ou les interrupteurs principaux sans fonction AFCI/GFCI.



## AVERTISSEMENT

**Risque d'emprisonnement des enfants. Avant de jeter votre ancien réfrigérateur ou congélateur:**

- > Enlevez les portes.
- > Laissez les étagères en place afin que les enfants ne puissent pas facilement y grimper

# PROTECTION DE L'ENVIRONNEMENT

## Élimination des anciens appareils électriques de manière respectueuse de l'environnement



Ce symbole de poubelle barrée indique que les déchets d'équipements électriques et électroniques (DEEE) doivent être éliminés séparément des déchets municipaux.

Les anciens produits électriques peuvent contenir des substances dangereuses, donc une élimination correcte de votre ancien appareil contribuera à prévenir les conséquences négatives potentielles pour l'environnement et la santé humaine. Votre ancien appareil peut contenir des pièces réutilisables qui pourraient être utilisées pour réparer d'autres produits, ainsi que d'autres matériaux précieux qui peuvent être recyclés pour conserver des ressources limitées.

### ATTENTION

Le réfrigérant et le matériau de mousse de cyclopentane utilisés pour le réfrigérateur sont inflammables. Par conséquent, lorsque le réfrigérateur est mis au rebut, il doit être éloigné de toute source de feu et récupéré par une entreprise de récupération spéciale ayant les qualifications correspondantes plutôt que d'être éliminé par combustion, afin d'éviter tout dommage à l'environnement ou tout autre préjudice.

## Informations sur l'emballage



Les matériaux d'emballage du produit sont fabriqués à partir de matériaux recyclables conformément à nos réglementations nationales sur l'environnement. Ne pas jeter les matériaux d'emballage avec les déchets domestiques ou autres. Apportez-les aux points de collecte de matériaux d'emballage désignés par les autorités locales.



Points de collecte sur [www.quefairemesdechets.fr](http://www.quefairemesdechets.fr)  
Privilégiez la réparation ou le don de votre appareil !

# INSTRUCTIONS D'INSTALLATION

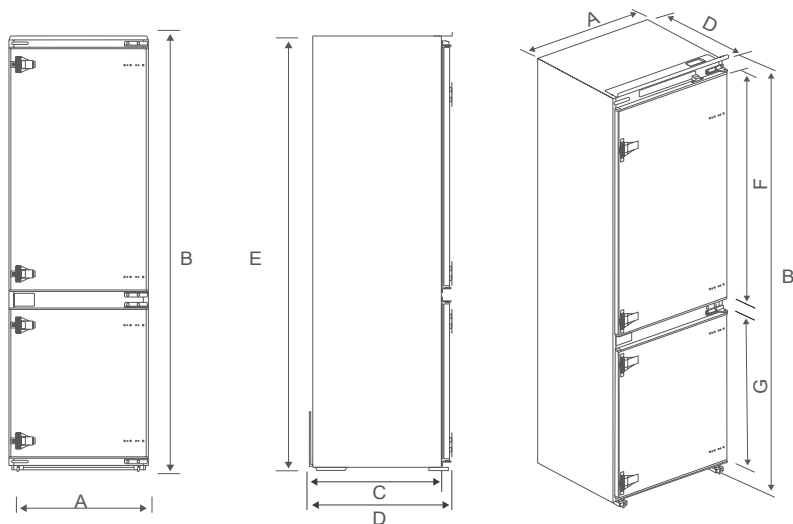
## Avant la première utilisation

Retirez l'emballage extérieur et intérieur, essuyez l'extérieur soigneusement avec un chiffon doux et sec et l'intérieur avec un chiffon humide et tiède.

Avant de brancher votre réfrigérateur à l'alimentation électrique, vérifiez que la tension indiquée sur l'étiquette de notation de votre appareil correspond à la tension de votre domicile. Une tension différente pourrait endommager l'appareil.

L'appareil doit être mis à la terre. Le fabricant n'est pas responsable des dommages qui pourraient survenir en cas d'utilisation sans mise à la terre.

## Diagramme des exigences d'espace



A	B	C	D	E	F	G
690	1953	515	550	1937	1161	621.5

Remarque : Toutes les dimensions en mm.

La plage de dimension de largeur du produit est de 690 mm à 695 mm.

## Température ambiante

Selon la classe climatique, ce réfrigérateur est destiné à être utilisé dans une plage de température ambiante comme spécifié dans le tableau suivant.

Le produit peut ne pas fonctionner correctement à des températures en dehors de la plage spécifique.

Vous pouvez trouver la classe climatique sur l'étiquette du produit..

classe climatique	Température ambiante
SN	+10 °C à +32 °C
N	+16 °C à +32 °C
ST	+16 °C à +38 °C
T	+16 °C à +43 °C

Si vous avez des doutes concernant l'installation, veuillez vous adresser au vendeur, à notre service clientèle ou au Centre de Service Agréé le plus proche.

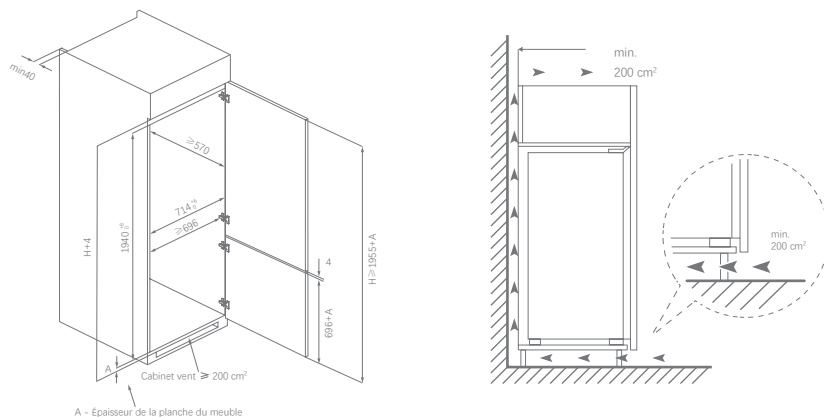
## ATTENTION

Les performances de refroidissement et la consommation d'énergie du réfrigérateur peuvent être affectées par la température ambiante, la fréquence d'ouverture de la porte et l'emplacement du réfrigérateur. Nous recommandons d'ajuster les réglages de température en conséquence.

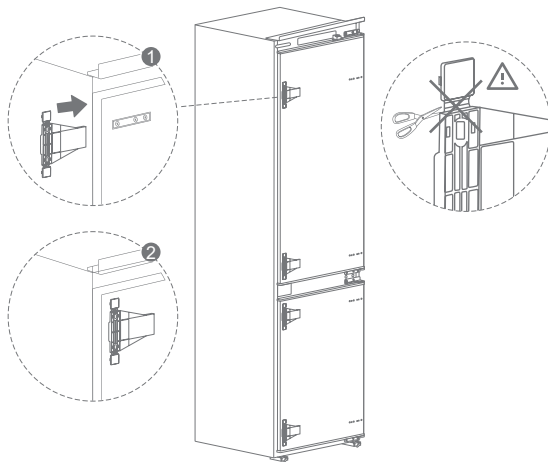
## Installation dans un meuble

### Étapes:

1. Exigence de taille du meuble.

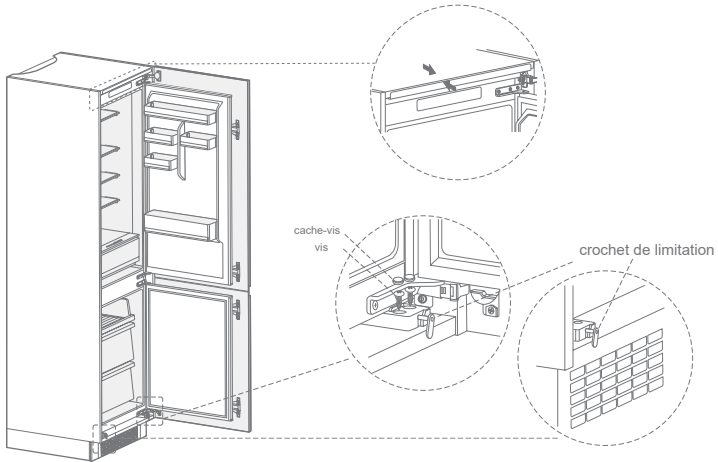


2. Installez les 4 blocs fixes du kit d'accessoires sur le rail coulissant correspondant du corps de la porte. Poussez le réfrigérateur dans le meuble et ajustez-le pour vous assurer que les bords de la plaque supérieure touchent complètement le bord supérieur du meuble et que les crochets de limitation des pieds de support touchent complètement le bord inférieur du meuble.

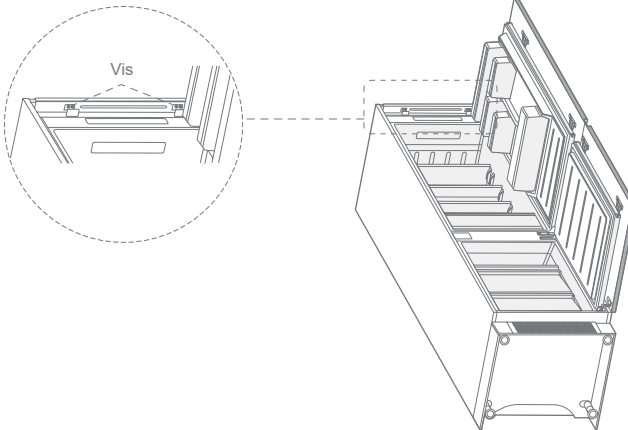


3. Fixez la patte de support avec des vis, puis installez les caches-vis.

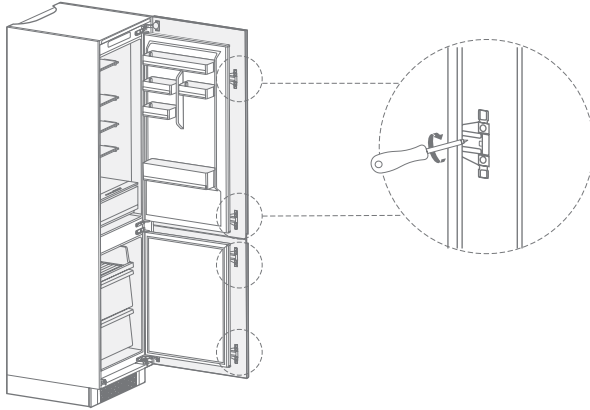
Repli du bord supérieur de la cloison



4. Fixez la cloison supérieure au sommet du meuble intérieur avec des vis, puis installez les caches-vis..



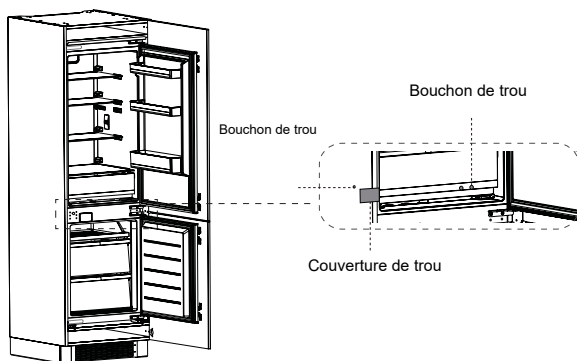
5. Ouvrez la porte inférieure du meuble à l'angle maximum, et ouvrez la porte inférieure du réfrigérateur à la position correspondante. Faites glisser le bloc pour vous assurer que le bord intérieur est aligné avec le bord de la porte inférieure du réfrigérateur, puis fixez le bloc à la porte du meuble avec une vis et installez les caches-vis. Fixez la porte supérieure du réfrigérateur à la porte du meuble de la même manière. Échangez la position fixe du pied réglable et de la charnière inférieure, puis fixez-les à nouveau.



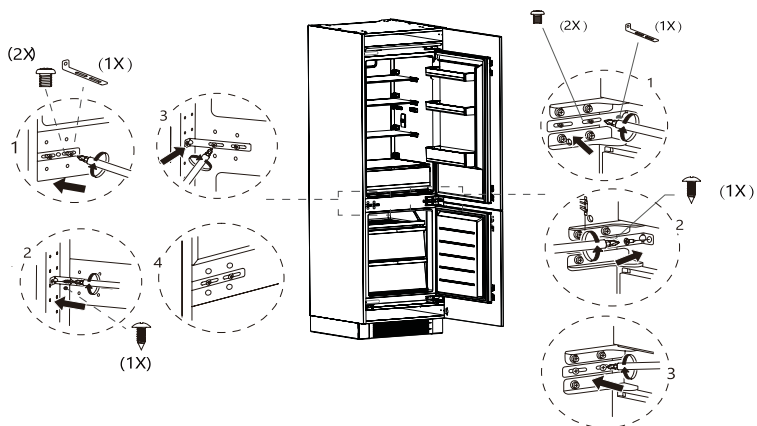
6. Retirez la bande d'étanchéité du sac d'accessoires et appuyez-la dans l'espace entre l'armoire et le réfrigérateur. L'installation est terminée.

(Support L optionnel)

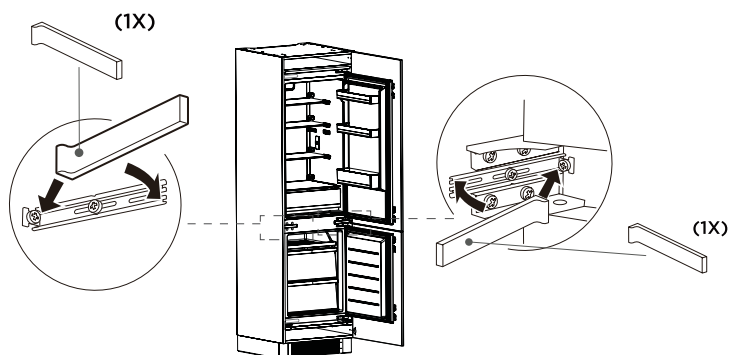
7. Retirez le couvercle de trou et les bouchons de trou du réfrigérateur et insérez les bouchons de l'autre côté.



8. Installez le L Bracket



9. Installez le couvercle du support L

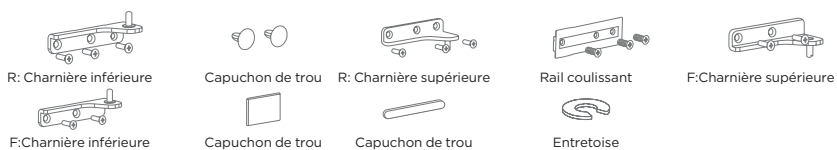


**ATTENTION**

**Précautions avant l'installation:** Les informations du manuel d'instructions sont uniquement à titre indicatif. Le produit physique peut différer. Avant l'installation et l'ajustement des accessoires, il doit être assuré que le réfrigérateur est déconnecté de l'alimentation.

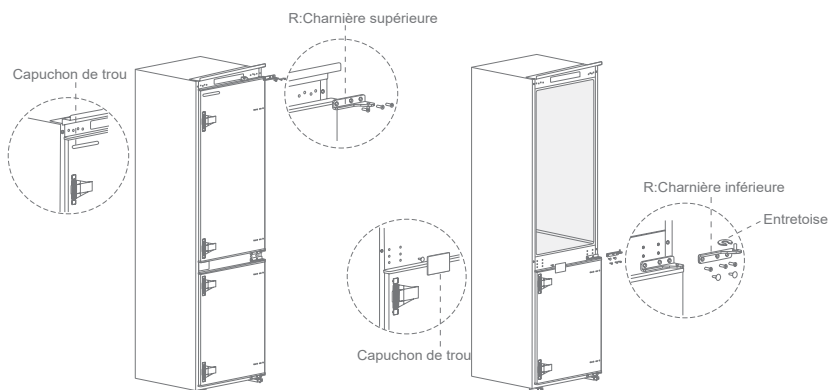
## inversion des portes

Pièces déjà montées sur le réfrigérateur (telles qu'expédiées):

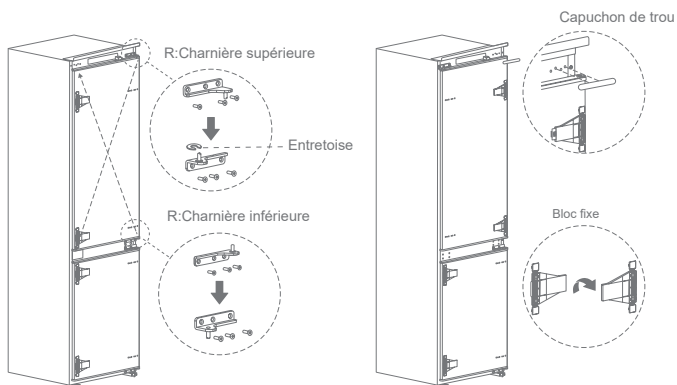


### étapes:

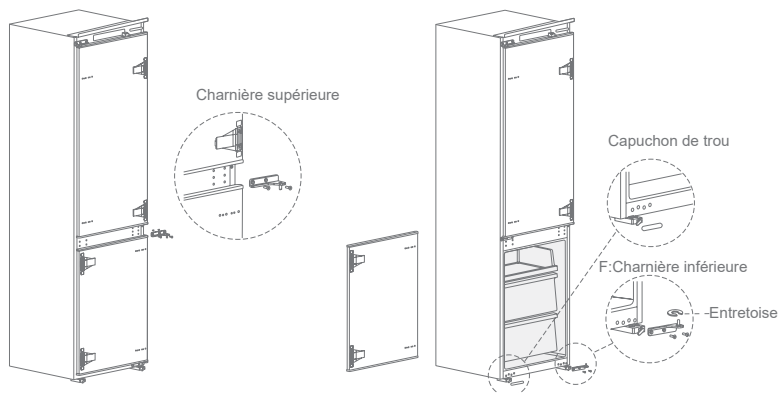
1. Éteignez le réfrigérateur et retirez tous les objets des plateaux de porte.
2. Retirez la charnière supérieure et les capuchons de trou de la porte du réfrigérateur.
3. Retirez la porte du réfrigérateur, l'entretoise de charnière inférieure et le cache-trou.



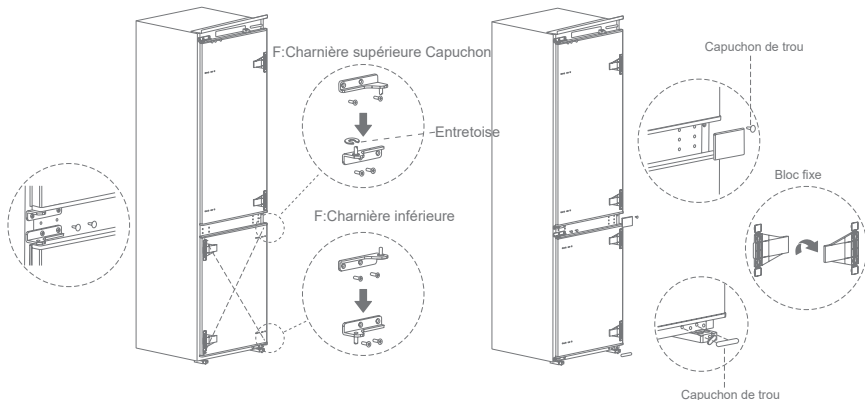
4. Échangez la R: charnière inférieure et la R: charnière supérieure, puis installez-les selon les étapes ci-dessous, et installez les capuchons de trou supérieurs.
5. Retirez les deux blocs fixes de la porte du réfrigérateur et faites-les pivoter de 180° et installez-les de l'autre côté de la porte du réfrigérateur.



6. Retirez la charnière supérieure de la porte du congélateur.
7. Retirez la porte du congélateur, l'entretoise de charnière inférieure et les capuchons de trou.



8. Échangez la F: charnière inférieure et la F: charnière supérieure, puis installez selon les étapes ci-dessous, et installez le cache-trou supérieur et les capuchons de trou inférieurs.
9. Retirez les deux blocs fixes de la porte du congélateur et faites-les pivoter de 180° et installez-les de l'autre côté de la porte du congélateur.



## ATTENTION

**Différences:** En raison de modifications techniques et de différents modèles, certaines des illustrations de ce manuel peuvent différer de votre modèle.

## Déplacement de l'appareil

1. Retirez tous les articles de l'appareil.
2. Débranchez la fiche d'alimentation, insérez-la et fixez-la dans le crochet de la fiche d'alimentation à l'arrière ou sur le dessus de l'appareil.
3. Fixez les pièces telles que les étagères et la porte pour éviter qu'elles ne tombent pendant le déplacement de l'appareil.
4. Déplacez l'appareil avec plus de deux personnes avec précaution. Lors du transport de l'appareil sur une longue distance, maintenez l'appareil debout.

## Changement de la lumière

Tout remplacement ou entretien des lampes LED doit être effectué par le fabricant, son agent de service ou une personne qualifiée similaire.

Ce produit contient une source lumineuse de classe d'efficacité énergétique (G).



### ATTENTION

Après avoir connecté le cordon d'alimentation (ou la fiche) à la prise, attendez 2 ou 3 heures avant de mettre de la nourriture dans l'appareil. Si vous ajoutez de la nourriture avant que l'appareil ne soit complètement refroidi, votre nourriture risque de se gâter.

## Conseils pour économiser de l'énergie

Ne placez pas l'appareil près des cuisinières, radiateurs ou autres sources de chaleur. Si la température ambiante est élevée, le compresseur fonctionnera plus fréquemment et plus longtemps, ce qui entraînera une consommation d'énergie accrue.

Assurez-vous qu'il y a une ventilation suffisante à la base de l'appareil, sur les côtés de l'appareil et à l'arrière de l'appareil.

Veillez également respecter les dimensions d'espacement dans le chapitre « Installation ».

L'agencement des tiroirs, étagères et plateaux tel qu'indiqué dans l'aperçu du produit offre une utilisation de l'énergie la plus efficace et doit être conservé autant que possible.

Pour obtenir un espace de stockage plus grand (par exemple pour les gros produits réfrigérés/congelés), les tiroirs et étagères du milieu peuvent être enlevés. Les tiroirs et étagères du haut et du bas doivent être enlevés en dernier si nécessaire.

Un compartiment réfrigérateur/congélateur uniformément rempli contribue à une utilisation optimale de l'énergie.

Laissez refroidir les aliments chauds avant de les placer dans le compartiment réfrigérateur/ congélateur. Les aliments déjà refroidis augmentent l'efficacité énergétique.

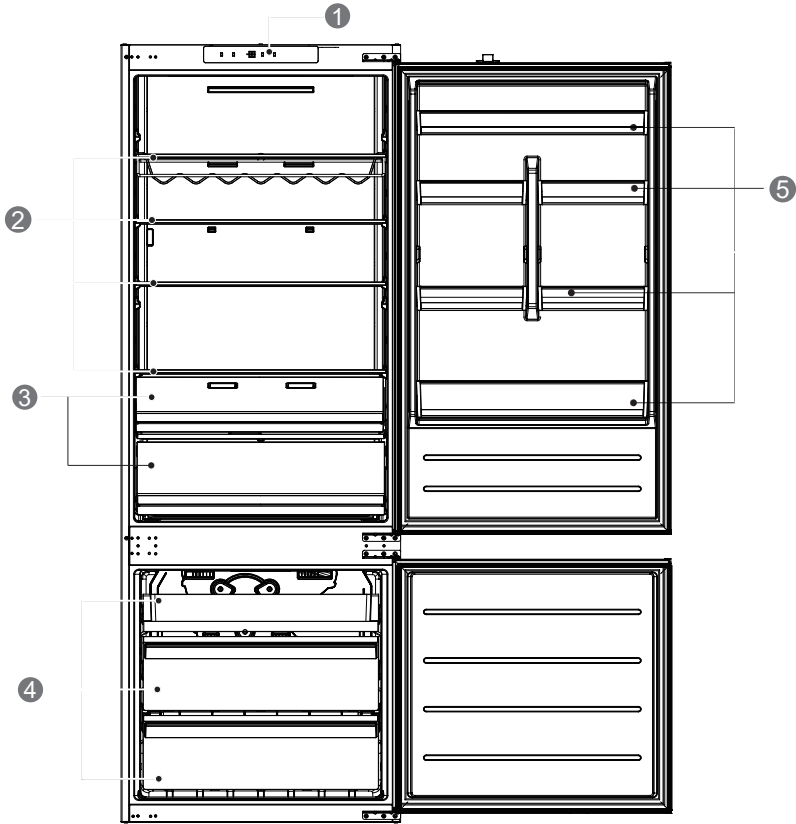
Laissez décongeler les aliments congelés dans le compartiment réfrigération. Le froid des aliments congelés réduit la consommation d'énergie dans le compartiment réfrigérateur et augmente ainsi l'efficacité énergétique.

Ouvrez la porte aussi brièvement que possible pour minimiser la perte de froid. Ouvrir la porte brièvement et la refermer correctement réduit la consommation d'énergie.

Régler la température pas plus froide que nécessaire contribue à une utilisation optimale de l'énergie. Les joints de porte de votre appareil doivent être parfaitement intacts pour que les portes se ferment correctement et que la consommation d'énergie ne soit pas augmentée inutilement.

# APERÇU DU PRODUIT

## Pièces et fonctions



- |   |                            |   |                  |
|---|----------------------------|---|------------------|
| 1 | Contrôle de la température | 2 | Étagère en verre |
| 3 | Bac à fruits et légumes    | 4 | Tiroir           |
| 5 | Bac de porte               |   |                  |

> Pour une utilisation de l'énergie la plus efficace, veuillez conserver tous les éléments internes tels que les plateaux, les tiroirs, les étagères et la boîte à glaçons à la position fournie par le fabricant.

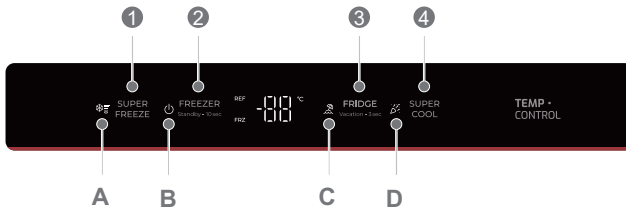
### ATTENTION

**Différences:** En raison de modifications techniques et de différents modèles, certaines des illustrations de ce manuel peuvent différer de votre modèle.

# INSTRUCTIONS D'UTILISATION

## utilisation et fonctions

### Panneau de fonctionnalités



### écran D'affichage

- A Un Indicateur de mode Super congélation
- B Indicateur de veille
- C Indicateur de mode vacances
- D Indicateur de mode Super refroidissement

### Bouton

- |                        |                      |
|------------------------|----------------------|
| 1 Bouton SUPER FRZ     | 2 Bouton CONGÉLATEUR |
| 3 Bouton RÉFRIGÉRATEUR | 4 Bouton SUPER COOL  |



### ATTENTION

Ne pas utiliser d'objets pointus pour manipuler le panneau de contrôle. Ils peuvent rayer ou endommager le panneau de contrôle.

### affichage

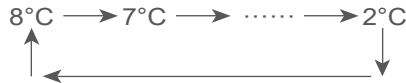
Lorsque le réfrigérateur est mis sous tension pour la première fois, l'affichage est entièrement affiché pendant 3 secondes, la sonnerie de mise sous tension retentit en même temps. La zone d'affichage numérique entre en affichage d'opération normal. La température par défaut du compartiment réfrigérateur est de 5°C, et la température par défaut du compartiment congélateur est de -20°C.

Lors de l'ajustement de la température ou du réglage du mode, le réglage prend effet après 15 secondes sans aucune opération, et la zone d'affichage numérique s'éteint après 15 secondes supplémentaires sans aucune opération.

Lorsque la zone d'affichage numérique s'éteint, ouvrez la porte du compartiment du réfrigérateur ou appuyez sur n'importe quel bouton pour illuminer la zone d'affichage numérique..

### Réglage de la température

Appuyez sur le bouton FRIGO pour ajuster la température du compartiment du réfrigérateur. La zone d'affichage numérique affiche la température réglée du compartiment du réfrigérateur (2 - 8°C). À chaque pression sur le bouton, la valeur de la température est réduite de 1°C. Après avoir atteint la température la plus basse, appuyez à nouveau sur le bouton pour passer à la température la plus élevée.



Appuyez sur le bouton CONGÉLATEUR pour ajuster la température du compartiment congélateur. La zone d'affichage numérique affiche la température définie du compartiment congélateur (-24 - -16°C). Chaque fois que vous appuyez sur le bouton, la valeur de la température est réduite de 1°C. Après avoir atteint la température la plus basse, appuyez à nouveau sur le bouton pour passer à la température la plus élevée.



### mode veille

Appuyez et maintenez le bouton CONGÉLATEUR pendant 10 secondes pour entrer en mode veille, et le témoin de veille s'allume, les autres s'éteignent. Le réfrigérateur cesse de fonctionner.

En mode veille, appuyez et maintenez le bouton CONGÉLATEUR pendant 10 secondes pour sortir du mode veille, et la zone d'affichage numérique revient à l'état d'affichage avant que le mode veille ne soit activé.

### mode super froid

Appuyez sur le bouton SUPER FROID pour entrer en mode super froid, et le témoin du mode super froid s'allume. La zone d'affichage numérique affiche 2°C.

Dans le mode super froid, après avoir appuyé sur le bouton SUPER FROID ou le bouton RÉFRIGÉRATEUR ou après 6 heures de fonctionnement, le témoin du mode super froid s'éteint et le mode super froid est désactivé, la température définie de la chambre de réfrigération reviendra automatiquement à celle définie avant d'entrer en mode super froid.

### mode super congélation

Appuyez sur le bouton SUPPER FRZ pour entrer en mode super congélation, le témoin du mode Super congélation s'allume et la zone d'affichage numérique affiche -24°C.

En mode super congélation, appuyez sur le bouton SUPPER FRZ ou le bouton FREEZER ou laissez-le fonctionner pendant 40 heures, le témoin du mode Super congélation s'éteint et le mode super congélation est désactivé, la température réglée de la chambre du congélateur reviendra automatiquement à celle réglée avant d'entrer en mode Super congélation.

### mode vacances

Appuyez et maintenez enfoncé le bouton FRIDGE 3s pour entrer en mode vacances, et le témoin du mode Vacances s'allume. Le compartiment réfrigérateur est fermé et la zone d'affichage numérique affiche "--". Le compartiment congélateur est réglé à -20°C. Le réglage de la température n'est pas disponible et le mode super refroidissement/super congélation ne peut pas être activé.

Appuyez et maintenez enfoncé le bouton FRIDGE 3s, le témoin du mode Vacances s'éteint et le mode vacances est désactivé. La zone d'affichage numérique revient à l'état d'affichage avant que le mode vacances ne soit activé..

### alarme de délai D'ouverture de porte

Lorsque la porte du compartiment réfrigérateur reste ouverte pendant 120 secondes sans se

refermer, la sonnerie d'alarme retentit. Fermez la porte ou appuyez sur n'importe quel bouton pour arrêter l'alarme.

### Indication de défaut

Les avertissements suivants s'affichant à l'écran indiquent les défauts correspondants du réfrigérateur. Bien que le réfrigérateur puisse encore avoir une fonction de congélation avec les défauts suivants, l'utilisateur doit contacter un spécialiste de la maintenance pour effectuer l'entretien, afin de garantir une utilisation normale du réfrigérateur.

<b>Code de défaut</b>	<b>Description du défaut</b>
E1	Défaut du capteur de température du compartiment réfrigérateur
E2	Défaut du capteur de température du compartiment congélateur
E5	Défaut du capteur de givre du congélateur
E6	Défaut de communication de la carte principale de contrôle et de la carte d'affichage
E7	Défaut du capteur de température ambiante
L4	Défaut de vitesse anormale du ventilateur de congélation
L5	Défaut du ventilateur de condenseur
L6	Défaut de vitesse anormale du ventilateur de condenseur

## Stockage de nourriture

### Compartment congélateur

Le compartiment congélateur est destiné à la congélation à basse température des aliments, au stockage à long terme des aliments congelés et à la production de glaçons.

Faites attention aux classifications en étoiles (4 étoiles, 2 étoiles et 1 étoile) dans le compartiment congélateur et aux durées de stockage résultantes pour les aliments congelés.

Ne mettez pas de nourriture fraîche et congelée côte à côte. Les aliments congelés peuvent décongeler.

Lorsque vous congelez de grandes quantités de nourriture fraîche (comme de la viande, du poisson ou de la viande hachée), veuillez les diviser en plusieurs petites pièces avant de les mettre, afin qu'ils puissent être rapidement congelés et facilement récupérés.

Respectez les temps de stockage recommandés par les fabricants d'aliments sur les emballages, s'il n'y a pas d'informations sur l'emballage, les aliments ne doivent pas être conservés congelés pendant plus de trois mois à compter de la date d'achat.

Lors de l'achat d'aliments surgelés, assurez-vous qu'ils ont été congelés à une température appropriée et que l'emballage n'est pas endommagé.

Les aliments surgelés doivent être conservés dans des emballages individuels appropriés pour éviter toute contamination des aliments adjacents. Consommez immédiatement les aliments décongelés, ne les recongelez pas.

En cas de panne de courant prolongée ou de dysfonctionnement de l'appareil, retirez les aliments surgelés stockés et vérifiez s'ils sont encore comestibles, puis conservez-les dans un endroit suffisamment frais ou dans un autre appareil.

Pour décongeler les aliments, retirez-les du congélateur et laissez-les décongeler à température ambiante ou dans le réfrigérateur. Pour décongeler rapidement les aliments, vous pouvez utiliser la fonction de décongélation de votre micro-ondes, par exemple.

Si vous ne voulez décongeler qu'une partie d'un paquet, retirez la portion dont vous avez besoin et refermez immédiatement le reste du paquet. De cette façon, vous évitez la formation de "brûlures de congélation" et réduisez la formation de glace sur les aliments restants.

### Compartment de refroidissement

Pour réduire l'humidité et la formation ultérieure de glace, ne jamais mettre de liquide dans le compartiment réfrigérateur dans des récipients non scellés.

Le givre a tendance à se concentrer dans les parties les plus froides de l'évaporateur. Le stockage de liquides non couverts entraîne une nécessité plus fréquente de dégivrage.

Ne jamais mettre de nourriture chaude dans le compartiment réfrigérateur. Celles-ci doivent d'abord refroidir à température ambiante, puis être placées de manière à assurer une circulation d'air adéquate dans le compartiment réfrigérateur.

Les aliments ou les contenants d'aliments ne doivent pas toucher le mur arrière du réfrigérateur car ils pourraient geler au mur. Ne pas ouvrir régulièrement la porte du réfrigérateur.

La viande et le poisson propre (emballés dans un emballage ou un film plastique) peuvent être placés dans le compartiment réfrigérateur, qui peut être utilisé dans les 1 à 2 jours.

Les fruits et légumes sans emballage peuvent être placés dans la partie désignée pour les fruits et légumes frais.

### ATTENTION

Le stockage de trop de nourriture pendant le fonctionnement après la connexion initiale à l'alimentation peut affecter négativement l'effet de congélation du réfrigérateur.

### Durées de stockage et température

Note: Un stockage trop long ou à une température de congélation inappropriée peut entraîner une perte de qualité ou des aliments gâtés, ce qui entraîne un gaspillage alimentaire, est immangeable et peut causer une intoxication alimentaire. La température minimale dans la plupart des cas doit être de -18°C ou plus froide.

Suivez les durées de stockage maximales recommandées ci-dessous:

- > Ragoûts, crème glacée, saucisses, pain: 2-6 mois.
- > Poisson, crevettes, agneau, viande: 4-8 mois.
- > Légumes, fruits, volaille, boeuf: 6-12 mois.

# ENTRETIEN ET NETTOYAGE



## ATTENTION

Débranchez l'appareil de l'alimentation électrique avant de procéder à tout entretien de routine. Attendez au moins 5 minutes avant de redémarrer l'appareil, car un démarrage fréquent peut endommager le compresseur.

Tenez la fiche, pas le câble, lors du débranchement de l'appareil.

Ne grattez pas le givre et la glace avec des objets pointus. N'utilisez pas de sprays, de radiateurs électriques comme un chauffage, un sèche-cheveux, des nettoyeurs à vapeur ou d'autres sources de chaleur pour éviter d'endommager les pièces en plastique.

Éliminez la poussière à l'arrière de l'appareil au moins une fois par an pour éviter les risques d'incendie, ainsi qu'une consommation d'énergie accrue.

Vérifiez régulièrement le joint de porte pour vous assurer qu'il n'y a pas de débris. Nettoyez le joint de porte avec un chiffon doux humidifié avec de l'eau savonneuse ou un détergent dilué.

L'intérieur du produit doit être nettoyé régulièrement pour éviter les odeurs.

Utilisez un chiffon doux ou une éponge pour nettoyer l'intérieur du produit, avec deux cuillères à soupe de bicarbonate de soude et un quart d'eau tiède. Ensuite, rincez à l'eau et essuyez. Après le nettoyage, ouvrez la porte et laissez-la sécher naturellement avant de mettre sous tension.

Pour les zones difficiles à nettoyer dans le produit (comme les sandwichs étroits, les espaces ou les coins), il est recommandé de les essuyer régulièrement avec un chiffon doux, une brosse douce, etc. et si nécessaire, combiné avec quelques outils auxiliaires (comme des bâtons minces) pour assurer qu'il n'y a pas d'accumulation de contaminants ou de bactéries dans ces zones.

N'utilisez pas de savon, de détergent, de poudre à récurer, de nettoyant en spray, etc., car cela peut causer des odeurs à l'intérieur du produit ou contaminer les aliments.

Essuyez la surface extérieure du produit

avec un chiffon doux humidifié avec de l'eau savonneuse, du détergent, etc., puis essuyez-la. N'utilisez pas de brosses dures, de boules d'acier nettoyant, de brosses métalliques, d'abrasifs (tels que des dentifrices), de solvants organiques (tels que de l'alcool, de l'acétone, de l'acétate d'isoamyle, etc.), d'eau bouillante, d'articles acides ou alcalins, qui peut endommager la surface et l'intérieur du réfrigérateur.

L'eau bouillante et les solvants organiques tels que le benzène peuvent déformer ou endommager les pièces en plastique.



Ne pas rincer directement avec de l'eau ou d'autres liquides lors du nettoyage pour éviter les courts-circuits ou affecter l'isolation électrique après immersion.

### ATTENTION

L'appareil doit fonctionner en continu une fois qu'il est démarré. En général, le fonctionnement de l'appareil ne doit pas être interrompu; sinon, la durée de vie peut être altérée.

## égivrage

Bien que cet appareil se dégivre automatiquement, une couche de givre peut se former sur les parois intérieures du compartiment congélateur si la porte du congélateur est ouverte fréquemment ou maintenue ouverte trop longtemps. Si le givre est trop épais, choisissez un moment où les stocks de nourriture sont bas et procédez comme suit:

1. Retirez les aliments et les paniers d'accessoires existants, débranchez l'appareil de la prise secteur et laissez les portes ouvertes. Ventilez l'ap

soigneusement pour accélérer le processus de dégivrage.

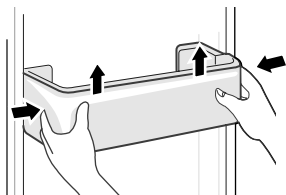
2. Lorsque le dégivrage est terminé, nettoyez votre congélateur comme décrit ci-dessus.

**ATTENTION!** N'utilisez pas d'objets tranchants pour enlever le givre du congélateur. Seulement après que l'intérieur soit complètement sec, l'appareil doit être remis en marche et branché de nouveau sur la prise secteur.

### nettoyage du plateau de porte

Selon la flèche de direction dans la figure ci-dessous, utilisez les deux mains pour presser le plateau et poussez-le vers le haut, puis vous pouvez le retirer.

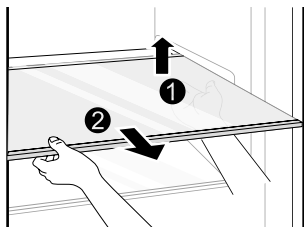
Après avoir lavé le plateau retiré, vous pouvez ajuster sa hauteur d'installation en fonction de vos besoins.



### nettoyage de l'étagère en verre

Comme la partie la plus interne de la doublure du réfrigérateur où les étagères sont en contact a un butée, vous devez soulever les étagères vers le haut, puis vous pouvez les sortir.

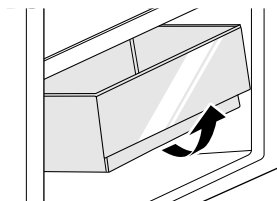
Ajustez ou nettoyez les étagères selon vos besoins.



### nettoyage du tiroir à légumes

Retirez le contenu du tiroir. Tenez la poignée du tiroir à légumes et tirez-le complètement jusqu'à ce qu'il s'arrête.

Soulevez le tiroir à légumes et retirez-le en le tirant.



### ATTENTION

**Différences:** En raison de modifications techniques et de modèles différents, certaines illustrations de ce manuel peuvent différer de votre modèle.

# DÉPANNAGE

**Les problèmes simples suivants peuvent être résolus par l'utilisateur. Veuillez appeler le service après-vente si les problèmes ne sont pas résolus.**

Problème	Causes possibles	Solution
Ne fonctionne pas	<ul style="list-style-type: none"> <li>L'alimentation n'est pas allumée et la fiche n'est pas fermement insérée.</li> <li>Basse tension, panne de courant ou partie du circuit déclenchée.</li> </ul>	<ul style="list-style-type: none"> <li>Insérez fermement la fiche du cordon d'alimentation.</li> <li>Vérifiez l'alimentation électrique à la maison.</li> </ul>
La lumière ne s'allume pas	<ul style="list-style-type: none"> <li>L'appareil n'est pas allumé.</li> <li>La lumière est cassée.</li> </ul>	<ul style="list-style-type: none"> <li>Débranchez et rebranchez le cordon d'alimentation.</li> <li>Remplacez la lumière par une neuve.</li> </ul>
Les fruits ou légumes sont congelés	<ul style="list-style-type: none"> <li>Les aliments ont-ils été placés à l'arrière du réfrigérateur? La zone près du mur arrière est la plus froide.</li> <li>Les fruits ou légumes sont stockés dans la zone Fraîcheur.</li> </ul>	<ul style="list-style-type: none"> <li>Ne pas placer les aliments qui peuvent facilement geler à l'arrière du compartiment réfrigérateur.</li> <li>La zone Fraîcheur est réservée uniquement à la viande/poisson.</li> </ul>
Le réfrigérateur/ congélateur sur-refroidit	<ul style="list-style-type: none"> <li>Le contrôle de température n'est pas réglé correctement.</li> </ul>	<ul style="list-style-type: none"> <li>Réglez la température plus haut.</li> </ul>
Le compresseur fonctionne pendant une longue période	<ul style="list-style-type: none"> <li>Température ambiante élevée entraînant une durée de fonctionnement prolongée.</li> <li>Mettre trop de nourriture en une seule fois.</li> <li>La nourriture est mise avant qu'elle ne refroidisse.</li> <li>Ouvrir la porte trop souvent.</li> <li>La couche de givre à l'intérieur est trop épaisse.</li> </ul>	<ul style="list-style-type: none"> <li>Ceci est normal.</li> <li>Ne mettez pas trop de nourriture en une seule fois.</li> <li>Attendez que la nourriture refroidisse avant de la mettre.</li> <li>Ne pas ouvrir la porte trop souvent.</li> <li>Besoin de dégivrer.</li> </ul>
La porte ne se ferme pas correctement.	<ul style="list-style-type: none"> <li>La porte est bloquée avec des objets.</li> <li>Trop de nourriture à l'intérieur.</li> <li>Joint de porte déformé.</li> </ul>	<ul style="list-style-type: none"> <li>Ne pas mettre trop de nourriture.</li> <li>Placez l'appareil électroménager de manière stable.</li> <li>Chauffez le joint de porte, puis refroidissez-le pour le restaurer (avec un sèche-linge électrique ou de l'eau chaude pour le chauffage)</li> </ul>
Le mur extérieur est chaud.	<ul style="list-style-type: none"> <li>Lorsque l'appareil fonctionne, la chaleur est dissipée vers l'extérieur à travers les tubes métalliques à l'intérieur de l'armoire.</li> <li>Des températures ambiantes plus élevées en été font monter la température de la paroi extérieure.</li> </ul>	<ul style="list-style-type: none"> <li>Une température plus élevée sur la paroi extérieure est normale.</li> <li>Augmentez l'espace de dissipation de chaleur, ou placez l'appareil dans un endroit ventilé et frais.</li> </ul>
Les poutres croisées ou verticales sont chaudes	<ul style="list-style-type: none"> <li>Il y a des tubes métalliques à l'intérieur des poutres, et la chaleur dégagée par les tubes empêche la condensation.</li> </ul>	<ul style="list-style-type: none"> <li>Ceci est normal.</li> </ul>
Odeurs	<ul style="list-style-type: none"> <li>Nourriture gâtée</li> <li>Nourriture avec des odeurs fortes</li> <li>Le compartiment intérieur est sale.</li> </ul>	<ul style="list-style-type: none"> <li>Nettoyez et enlevez toute nourriture gâtée.</li> <li>Assurez-vous que les aliments à forte odeur sont enveloppés hermétiquement.</li> <li>Nettoyez le compartiment intérieur.</li> </ul>
La condensation se forme à l'extérieur	<ul style="list-style-type: none"> <li>La condensation peut se former lorsque l'humidité dans la pièce est élevée.</li> </ul>	<ul style="list-style-type: none"> <li>Ceci est normal. Essayez la condensation avec un chiffon sec.</li> </ul>

Problème	Causes possibles	Solution
La condensation se forme à l'intérieur du réfrigérateur et des tiroirs	<ul style="list-style-type: none"> <li>Le réfrigérateur maintient une humidité élevée pour garder les légumes et autres aliments frais.</li> <li>L'humidité est trop élevée dans la pièce et les portes ont été ouvertes fréquemment.</li> <li>Le joint de porte n'est pas étanche.</li> </ul>	<ul style="list-style-type: none"> <li>Essuyez la condensation avec un chiffon sec.</li> <li>Ne pas ouvrir les portes aussi fréquemment ou ne pas les laisser ouvertes trop longtemps.</li> <li>Vérifiez le joint de porte, nettoyez ou corrigez la position.</li> </ul>

**Certains bruits peuvent être entendus pendant l'utilisation normale du réfrigérateur, qui n'affectent pas son bon fonctionnement.**

**Bruit, qui peut être facilement évité:**

- > Bruit causé par l'appareil qui n'est pas de niveau - ajustez la position avec les pieds avant réglables. Alternativement, placez des tampons en matériau souple sous les roulettes arrière, surtout lorsque l'appareil est placé sur des carreaux.
- > En touchant le meuble adjacent - éloignez le réfrigérateur.
- > Grincement des tiroirs ou des étagères - retirez et remettez le tiroir ou l'étagère.
- > Sons de bouteilles qui s'entrechoquent - éloignez les bouteilles.

Les sons entendus pendant une utilisation normale sont principalement dus au fonctionnement du compresseur (mise en marche) et du système de refroidissement (expansion et contraction thermique du radiateur causées par l'écoulement de l'agent de refroidissement).

**Note:**

- > La consommation électrique spécifiée est basée sur une profondeur de meuble de 575 mm. Le produit fonctionne également normalement dans une profondeur de meuble inférieure à 570 mm, ce qui consomme plus d'énergie.

**revendication D'intervalle de dégivrage**

Température environnementale	Intervalle entre deux cycles de dégivrage	Temps	conditions spécifiques
32°C	Minimum de deux intervalles de dégivrage ( $\Delta t_{d-min}$ )	12h	Utilisation intensive, ouverture fréquente des portes
	Maximum de deux intervalles de dégivrage ( $\Delta t_{d-max}$ )	96h	Dans des conditions de faible humidité, il n'y a pas d'action d'ouverture de porte et aucun mode spécial n'est activé

# ANNEXE

## Spécial pour la nouvelle norme européenne

Les pièces commandées dans le tableau suivant peuvent être acquises auprès du canal de fournisseur de services

Pièce commandée	Fourni par	Temps minimum requis pour la fourniture
Thermostats	Personnel d'entretien professionnel	Au moins 7 ans après le lancement du dernier modèle sur le marché
Capteurs de température	Personnel d'entretien professionnel	Au moins 7 ans après le lancement du dernier modèle sur le marché
Cartes de circuits imprimés	Personnel d'entretien professionnel	Au moins 7 ans après le lancement du dernier modèle sur le marché
Sources lumineuses	Personnel d'entretien professionnel	Au moins 7 ans après le lancement du dernier modèle sur le marché
Poignées de porte	Réparateurs professionnels et utilisateurs finaux	Au moins 7 ans après le lancement du dernier modèle sur le marché
Charnières de porte	Réparateurs professionnels et utilisateurs finaux	Au moins 7 ans après le lancement du dernier modèle sur le marché
Plateaux	Réparateurs professionnels et utilisateurs finaux	Au moins 7 ans après le lancement du dernier modèle sur le marché
Paniers	Réparateurs professionnels et utilisateurs finaux	Au moins 7 ans après le lancement du dernier modèle sur le marché
Joints de porte	Réparateurs professionnels et utilisateurs finaux	Au moins 10 ans après le lancement du dernier modèle sur le marché

### Cher client

1. Si vous souhaitez retourner ou remplacer le produit, veuillez contacter le magasin où vous l'avez acheté. (N'oubliez pas d'apporter la facture d'achat)
2. Si votre produit tombe en panne et nécessite une réparation, veuillez contacter le fournisseur de service après-vente.

### ATTENTION

Les informations sur le modèle dans la base de données du produit, ainsi que l'identifiant de modèle, peuvent être obtenues via un lien web scanné par un code QR, le cas échéant, sur l'étiquette d'efficacité énergétique du produit. Pour plus d'informations sur l'efficacité énergétique de l'appareil, visitez <https://eprel.ec.europa.eu> et recherchez en utilisant le nom du modèle. Le nom du modèle peut être trouvé sur l'étiquette de notation de l'appareil.







# Conteúdo

<b>INSTRUÇÕES IMPORTANTES DE SEGURANÇA.....</b>	<b>2</b>
<b>PROTEÇÃO AMBIENTAL.....</b>	<b>5</b>
<b>INSTRUÇÃO DE INSTALAÇÃO .....</b>	<b>6</b>
Instalação no armário.....	7
inversão de portas.....	12
Trocar a luz.....	14
Mudança de localização do aparelho .....	14
Dicas para economia de energia.....	14
<b>VISÃO GERAL DO PRODUTO.....</b>	<b>15</b>
Peças e funções .....	15
<b>INSTRUÇÕES DE OPERAÇÃO .....</b>	<b>16</b>
uso e funções .....	16
Armazenar alimentos .....	19
<b>MANUTENÇÃO E LIMPEZA.....</b>	<b>20</b>
<b>SOLUÇÃO DE PROBLEMAS .....</b>	<b>22</b>
<b>APÊNDICE .....</b>	<b>24</b>
Especial para novo padrão europeu.....	24

## Antes de ligar o aparelho pela primeira vez, leia as seguintes dicas de segurança!

- > como áreas de cozinha para funcionários em lojas, escritórios e outros ambientes de trabalho; casas de fazenda e por clientes em hotéis, motéis e outros ambientes residenciais; ambientes de tipo cama e café; aplicações de catering e similares não comerciais.
- > Este aparelho não se destina a ser utilizado por pessoas (incluindo crianças) com capacidades físicas, sensoriais ou mentais reduzidas, ou falta de experiência e conhecimento, a menos que tenham recebido supervisão ou instrução sobre o uso do aparelho por uma pessoa responsável pela sua segurança.

## Explicação de termos/símbolos

	<b>PERIGO</b> Este símbolo indica que existem perigos para a vida e a saúde das pessoas devido a gás extremamente inflamável.
	<b>ATENÇÃO</b> A palavra de sinalização indica um perigo com um nível médio de risco que, se não for evitado, pode resultar em morte ou lesão grave.
	<b>CUIDADO</b> A palavra de sinalização indica um perigo com um grau baixo de risco que, se não for evitado, pode resultar em lesões leves ou moderadas.
	<b>ATENÇÃO</b> A palavra de sinalização indica informações importantes (por exemplo, danos à propriedade), mas não perigo.

**IMPORTANTE:** Preste atenção especial às mensagens que contêm as palavras **PERIGO**, **AVISO** ou **CUIDADO**. Essas palavras são usadas para alertá-lo sobre um perigo potencial que pode causar ferimentos graves a você e aos outros.

As instruções informarão como reduzir a chance de ferimentos e informarão o que pode acontecer se as instruções não forem seguidas.

**ATENÇÃO:** Estas instruções de operação são gerais. Isso significa que certas funções se aplicam ao seu refrigerador / freezer, enquanto outras não. Estamos constantemente trabalhando no desenvolvimento e aprimoramento de nossos tipos e modelos de aparelhos. Portanto, reservamo-nos o direito de fazer alterações no design, equipamento e acessórios de todos os tipos e modelos sem aviso prévio.

# INSTRUÇÕES IMPORTANTES DE SEGURANÇA

## LEIA E GUARDE ESTAS INSTRUÇÕES!



### **AVISO: Risco de incêndio / Material inflamável**

O refrigerante e o material espumante de ciclopentano usados para o aparelho são inflamáveis. Portanto, quando o eletrodoméstico for descartado, ele deve ser mantido longe de qualquer fonte de fogo e recuperado por uma empresa especializada com qualificação correspondente, em vez de ser descartado por combustão, a fim de evitar danos ao meio ambiente ou qualquer outro dano

## **ATENÇÃO**

### **Segurança geral**

- > As crianças devem ser supervisionadas para garantir que não brinquem com o eletrodoméstico.
- > Se o cabo de alimentação estiver danificado, ele deve ser substituído pelo fabricante, seu agente de serviço ou pessoas com qualificação semelhante para evitar um risco.
- > Não armazene substâncias explosivas, como latas de aerossol com propelente inflamável, neste eletrodoméstico.
- > O eletrodoméstico deve ser desligado da tomada após o uso e antes de realizar a manutenção do usuário no eletrodoméstico.
- > AVISO: Mantenha as aberturas de ventilação, na caixa do eletrodoméstico ou na estrutura embutida, desobstruídas.
- > AVISO: Não use dispositivos mecânicos ou outros meios para acelerar o processo de descongelamento, exceto aqueles recomendados pelo fabricante.
- > AVISO: Não danifique o circuito de refrigerante.
- > AVISO: Não utilize aparelhos elétricos dentro dos compartimentos de armazenamento de alimentos do aparelho, a menos que sejam do tipo recomendado pelo fabricante.
- > AVISO: Por favor, abandone a geladeira de acordo com os regulamentos locais, pois ela utiliza gás de sopro e refrigerante inflamáveis.
- > AVISO: Ao posicionar o aparelho, certifique-se de que o cabo de alimentação não está preso ou danificado.
- > AVISO: Não coloque várias tomadas ou fontes de alimentação portáteis na parte traseira do aparelho.
- > Não utilize cabos de extensão ou adaptadores sem aterramento (de dois pinos).
- > Para evitar riscos devido à instabilidade do aparelho, ele deve ser fixado de acordo com as instruções.
- > A geladeira deve ser desconectada da fonte de alimentação elétrica antes de tentar instalar um acessório. Certifique-se de que o cabo de alimentação não fique preso atrás da geladeira. Não pise no cabo de alimentação.



## CUIDADO

### Uso diário

- > Não puxe o cabo de alimentação ao retirar o plugue da geladeira. Por favor, segure firmemente o plugue e retire-o diretamente da tomada.
- > Para garantir o uso seguro, não danifique o cabo de alimentação ou use-o quando estiver danificado ou desgastado.
- > Por favor, use uma tomada de energia dedicada e a tomada de energia não deve ser compartilhada com outros aparelhos elétricos.
- > O plugue de alimentação deve estar firmemente conectado à tomada, caso contrário, podem ocorrer incêndios.
- > Certifique-se de que o eletrodo de aterramento da tomada de energia esteja equipado com uma linha de aterramento confiável.
- > Desligue a válvula do gás vazando e abra as portas e janelas em caso de vazamento de gás e outros gases inflamáveis.
- > Não desligue a geladeira e outros aparelhos elétricos considerando que faíscas podem causar um incêndio.
- > Não utilize aparelhos elétricos no topo do eletrodoméstico, a menos que sejam do tipo recomendado pelo fabricante.
- > As lacunas entre as portas do refrigerador e entre as portas e o corpo do refrigerador são pequenas, tenha cuidado para não colocar a mão nessas áreas para evitar esmagamento dos dedos. Por favor, feche a porta da geladeira com cuidado para evitar que os objetos caiam.
- > Não pegue alimentos ou recipientes com as mãos molhadas na câmara de congelamento quando o refrigerador estiver funcionando, especialmente recipientes de metal, para evitar queimaduras de gelo.
- > Não permita que crianças entrem ou subam no refrigerador; caso contrário, pode ocorrer sufocação ou queda da criança.
- > Não coloque objetos pesados no topo do refrigerador, considerando que os objetos podem cair ao abrir ou fechar a porta, e lesões acidentais podem ocorrer.
- > Não coloque itens inflamáveis, explosivos, voláteis e altamente corrosivos no refrigerador para evitar danos ao produto ou acidentes de incêndio.
- > Não coloque itens inflamáveis perto da geladeira para evitar incêndios.
- > A geladeira destina-se ao uso doméstico, como armazenamento de alimentos; não deve ser usada para outros fins, como armazenamento de sangue, medicamentos ou produtos biológicos, etc.
- > Não armazene cerveja, bebida ou outro líquido contido em garrafas ou recipientes fechados na câmara de congelamento da geladeira; caso contrário, as garrafas ou recipientes fechados podem rachar devido ao congelamento e causar danos



## WARNING

- > Conecte apenas a uma fonte de água potável. (Adequado para fabricante de cubos de gelo)(\*)
- > Para evitar que as crianças fiquem presas, as chaves devem ser mantidas fora do alcance das crianças e não na proximidade do freezer horizontal (ou geladeira) (adequado para produtos com fechaduras).(\*)

**(\*): Essa característica varia dependendo do modelo adquirido.**

## ATENÇÃO

Para o padrão europeu:

**a partir de 8 anos e por pessoas com capacidades físicas, sensoriais ou mentais reduzidas ou falta de experiência e conhecimento se tiverem recebido supervisão ou instruções sobre o uso do aparelho de forma segura e entenderem os perigos envolvidos. As crianças não devem brincar com o eletrodoméstico. A limpeza e manutenção do usuário não devem ser feitas por crianças sem supervisão.**

**Para evitar a contaminação dos alimentos, por favor, respeite as seguintes instruções:**

- Abrir a porta por longos períodos pode causar um aumento significativo da temperatura nos compartimentos do eletrodoméstico.
- Limpe regularmente as superfícies que podem entrar em contato com alimentos e os sistemas de drenagem acessíveis.
- Limpe os tanques de água se eles não foram usados por 48 horas; enxágue o sistema de água conectado a uma fonte de água se a água não tiver sido retirada por 5 dias. (Note 1)(\*)
- Armazene carne crua e peixe em recipientes adequados na geladeira, para que não entre em contato ou pingue em outros alimentos.
- Os compartimentos de alimentos congelados de duas estrelas são adequados para armazenar alimentos pré-congelados, armazenar ou fazer sorvete e fazer cubos de gelo. (Note 2)(\*)
- Os compartimentos de uma estrela, duas estrelas e três estrelas não são adequados para o congelamento de alimentos frescos. (note 3)(\*)
- Para aparelhos sem compartimento de 4 estrelas: este aparelho de refrigeração não é adequado para congelar alimentos. (nota 4) (\*)
- Se o aparelho de refrigeração

ficar vazio por longos períodos, desligue, descongele, limpe, seque e deixe a porta aberta para evitar o desenvolvimento de mofo dentro do aparelho.

**Nota 1,2,3,4: Por favor, confirme se é aplicável de acordo com o tipo de compartimento do seu produto. (\*): Essa característica varia dependendo do modelo adquirido.**



Símbolo "4 estrelas": Congelador a -18 °C ou mais frio, e com a capacidade de congelar rapidamente uma certa quantidade de alimentos



Símbolo "3 estrelas": Compartimento do congelador a -18 °C ou mais frio



Símbolo "2 estrelas": Compartimento do congelador a -12 °C ou mais frio



Símbolo "1 estrela": Compartimento do congelador com temperatura e condições de armazenamento alvo de -6 °C



## CUIDADO

**Este produto não é recomendado para uso com tomadas ou interruptores principais com a função AFCI/GFCI, caso contrário, pode causar desligamentos falsos.**

1. Não representa um risco de segurança quando ocorre um curto-circuito.
2. Se o curto-circuito persistir, é recomendável substituir as tomadas ou o interruptor principal sem função AFCI/GFCI.



## ATENÇÃO

**Risco de aprisionamento de crianças. Antes de descartar sua geladeira ou freezer antigo:**

- > Remova as portas.
- > Deixe as prateleiras no lugar para que as crianças não possam facilmente entrar dentro.

# PROTEÇÃO AMBIENTAL

## Descartar dispositivos elétricos antigos de maneira ambientalmente amigável



Este símbolo de lixeira com rodas cruzadas indica que os produtos elétricos e eletrônicos (REEE) devem ser descartados separadamente do fluxo de resíduos municipais.

Produtos elétricos antigos podem conter substâncias perigosas, portanto, o descarte correto do seu aparelho antigo ajudará a evitar possíveis consequências negativas para o meio ambiente e a saúde humana. Seu aparelho antigo pode conter peças reutilizáveis que podem ser usadas para reparar outros produtos e outros materiais valiosos que podem ser reciclados para conservar recursos limitados.

### CUIDADO

O refrigerante e o material de espuma de ciclopentano usados para a geladeira são inflamáveis. Portanto, quando o refrigerador for descartado, ele deve ser mantido longe de qualquer fonte de fogo e recuperado por uma empresa especializada em recuperação com qualificação correspondente, em vez de ser descartado por combustão, para evitar danos ao meio ambiente ou qualquer outro dano.

## Informação de embalagem



Os materiais de embalagem do produto são fabricados a partir de materiais recicláveis de acordo com nossas Regulamentações Nacionais de Meio Ambiente. Não descarte os materiais de embalagem junto com os resíduos domésticos ou outros. Leve-os aos pontos de coleta de materiais de embalagem designados pelas autoridades locais.

# INSTRUÇÃO DE INSTALAÇÃO

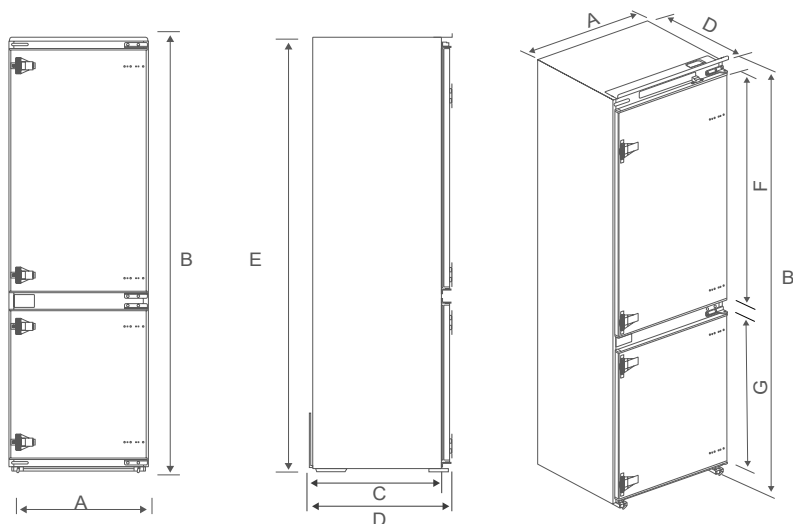
## Antes da primeira utilização

Remova a embalagem exterior e interior, limpe o exterior completamente com um pano macio e seco e o interior com um pano húmido e morno.

Antes de ligar o seu frigorífico à fonte de alimentação, verifique se a voltagem indicada no rótulo de classificação do seu eletrodoméstico corresponde à voltagem da sua casa. Uma voltagem diferente pode danificar o eletrodoméstico.

O eletrodoméstico deve estar ligado à terra. O fabricante não é responsável por danos que possam ocorrer como resultado de utilização sem ligação à terra.

## Diagrama de requisitos de espaço



A	B	C	D	E	F	G
690	1953	515	550	1937	1161	621.5

Aviso: Todas as dimensões em mm.

A gama de dimensão da largura do produto é de 690mm a 695mm.

## Temperatura Ambiente

Dependendo da classe climática, este frigorífico destina-se a ser utilizado numa faixa de temperatura ambiente conforme especificado na tabela seguinte.

O produto pode não funcionar corretamente em temperaturas fora da faixa específica.

Pode encontrar a classe climática no rótulo do produto.

classe climática	Temperatura Ambiente
SN	+10 °C a +32 °C
N	+16 °C a +32 °C
ST	+16 °C a +38 °C
T	+16 °C a +43 °C

Se tiver dúvidas sobre a instalação, por favor, contacte o vendedor, o nosso serviço de apoio ao cliente ou o Centro de Assistência Autorizado mais próximo.

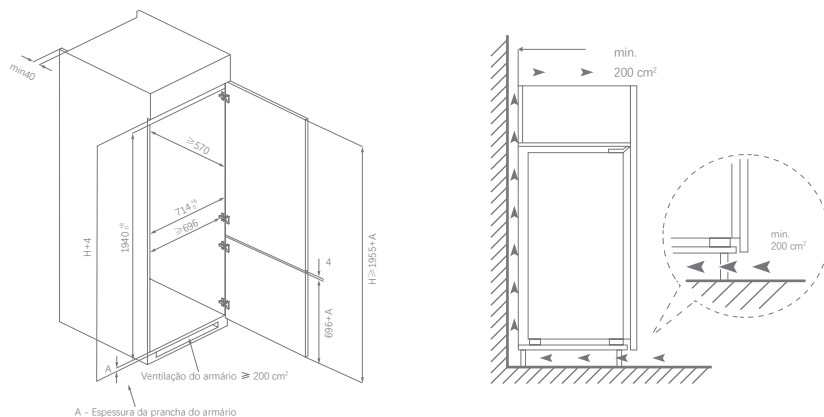
## ⚠ ATENÇÃO

O desempenho de refrigeração e o consumo de energia do frigorífico podem ser afetados pela temperatura ambiente, pela frequência de abertura da porta e pela localização do frigorífico. Recomendamos ajustar as configurações de temperatura conforme apropriado.

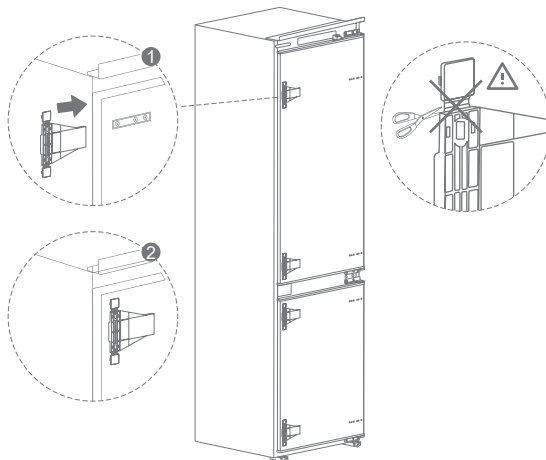
## Instalação no armário

### Passos:

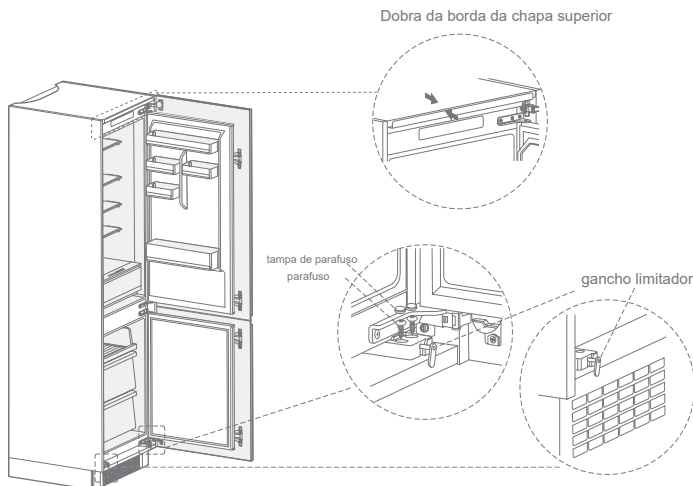
1. Requisito de tamanho do armário .



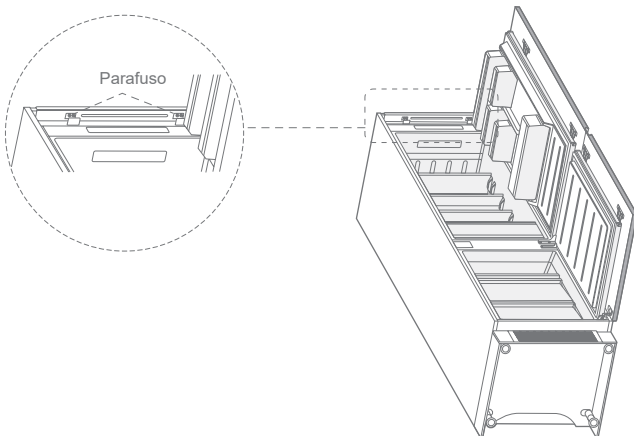
2. Instale os 4 blocos fixos no pacote de acessórios no trilho deslizante correspondente do corpo da porta. Empurre o refrigerador para dentro do armário e ajuste para garantir que as bordas da chapa superior toquem totalmente a borda superior do armário e que os ganchos limitadores das pernas de suporte toquem totalmente a borda inferior do armário.



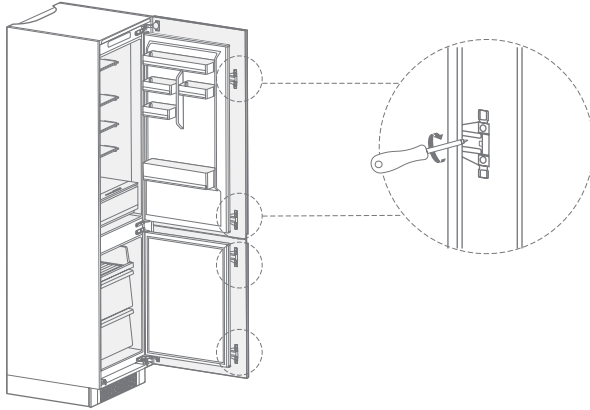
3. Fixe a perna de suporte com parafusos e, em seguida, instale as tampas dos parafusos.



4. Fixe a chapa superior no topo do armário interno com parafusos e, em seguida, instale as tampas dos parafusos.



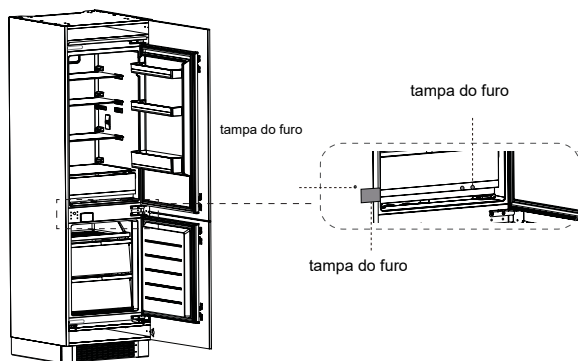
5. Abra a porta inferior do armário até o ângulo máximo e abra a porta inferior do refrigerador até a posição correspondente. Deslize o bloco para garantir que a borda interna esteja alinhada com a borda da porta inferior do refrigerador, em seguida, fixe o bloco na porta do armário com parafuso e instale as tampas dos parafusos. Fixe a porta superior do refrigerador na porta do armário da mesma maneira. Troque a posição fixa do pé ajustável e da dobradiça inferior, e fixe-os novamente.



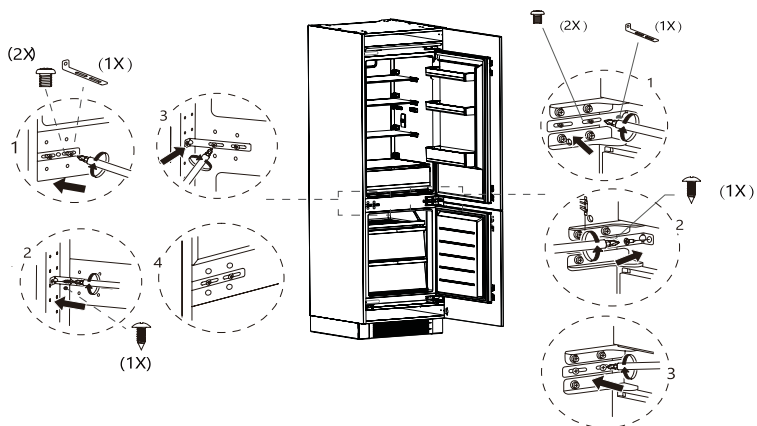
6. Retire a tira de vedação do saco de acessórios e pressione-a na fenda entre o armário e o frigorífico. A instalação está concluída.

(Soporte en L opcional)

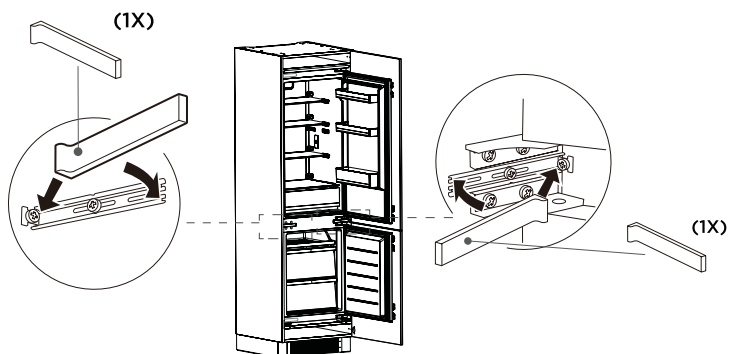
7. Remova a tampa do orifício e as tampas do refrigerador e insira as tampas no outro lado.



8. Instale o suporte L



## 9. Instale a tampa do suporte L



### ⚠ ATENÇÃO

**Precauções antes da instalação:** As informações no Manual de Instruções são apenas para referência. O produto físico pode ser diferente. Antes da instalação e ajuste dos acessórios, certifique-se de que o refrigerador está desconectado da energia..

## inversão de portas

Peças já montadas no refrigerador (como enviadas):



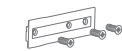
R: Dobradiça inferior



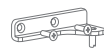
Tampa do furo



R: Dobradiça superior



Trilho deslizante



F: Dobradiça superior



F: Dobradiça inferior



Tampa do furo



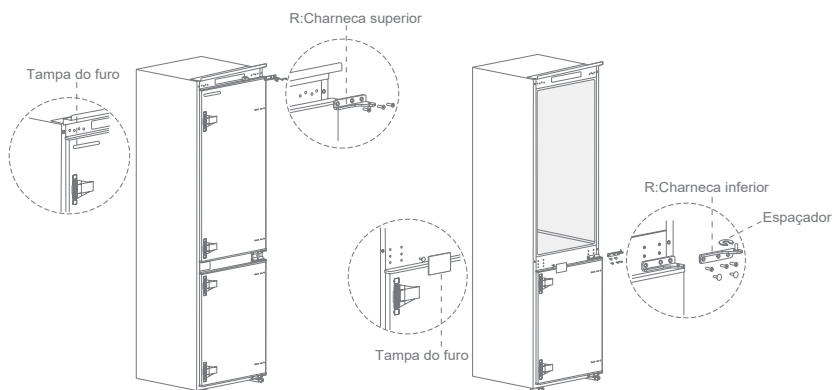
Tampa do furo



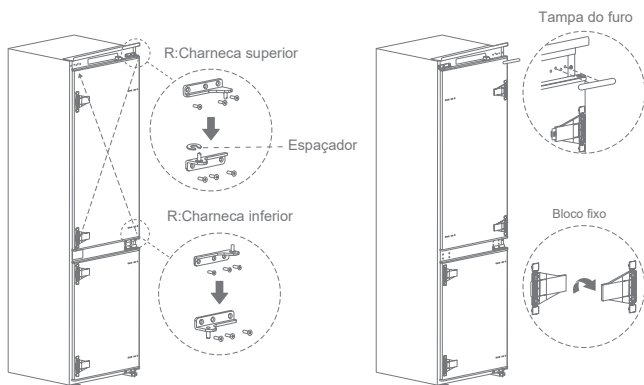
Espaçador

### passos:

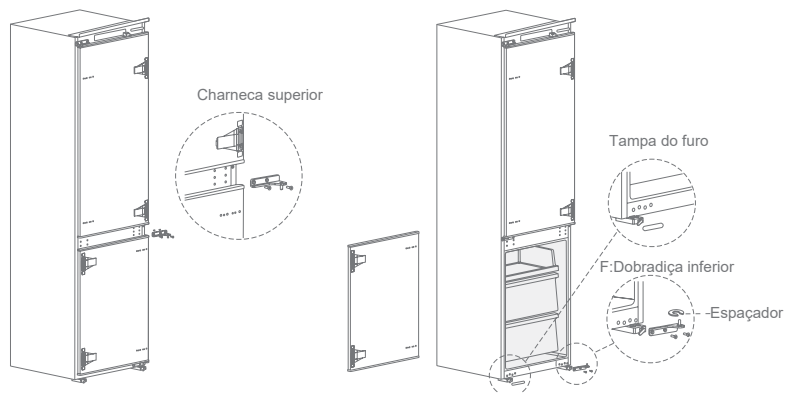
1. Desligue o refrigerador e remova todos os objetos das bandejas da porta.
2. Remova a dobradiça superior e as tampas dos furos da porta do refrigerador.
3. Remova a porta do refrigerador, o espaçador da dobradiça inferior e a tampa do furo.



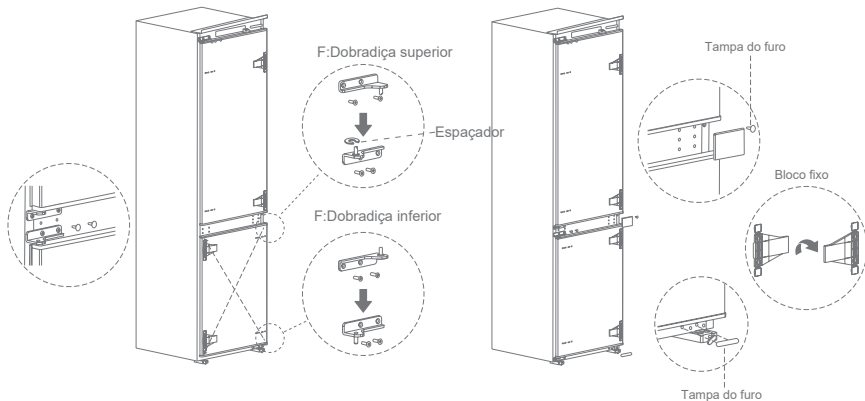
4. Troque a R:charneca inferior e a R:charneca superior, depois instale-as de acordo com os passos abaixo, e instale as tampas do furo superior.
5. Remova os dois blocos fixos da porta do frigorífico e rode-os 180° e instale-os do outro lado da porta do frigorífico.



6. Remova a charneca superior da porta do congelador.
7. Remova a porta do congelador, o espaçador da charneca inferior e as tampas dos furos.



8. Troque a F:charneca inferior e a F:charneca superior, depois instale-as de acordo com os passos abaixo, e instale a cobertura do furo superior e as tampas dos furos inferiores.
9. Remova os dois blocos fixos da porta do congelador e rode-os 180° e instale-os do outro lado da porta do congelador.



## ● ATENÇÃO

**Diferenças:** Devido a alterações técnicas e diferentes modelos, algumas das ilustrações neste manual podem diferir do seu modelo.

## Trocar a luz

Qualquer substituição ou manutenção das lâmpadas LED deve ser feita pelo fabricante, seu agente de serviço ou pessoa qualificada semelhante.

**Este produto contém uma fonte de luz de classe de eficiência energética (G).**

Após conectar o cabo de alimentação (ou plugue) à tomada, aguarde 2 ou 3 horas antes de colocar alimentos no aparelho. Se adicionar alimentos antes do aparelho esfriar completamente, seus alimentos podem estragar.

## Mudança de localização do aparelho

1. Remova todos os itens do aparelho.
2. Retire o plugue da tomada, insira e fixe-o no gancho da tomada na parte traseira ou superior do aparelho.
3. Fixe partes como prateleiras e a porta com fita adesiva para evitar que caiam durante o transporte do aparelho.
4. Mova o aparelho com mais de duas pessoas com cuidado. Ao transportar o aparelho por uma longa distância, mantenha-o na posição vertical.

## Dicas para economia de energia

Não coloque o aparelho perto de fogões, radiadores ou outras fontes de calor. Se a temperatura ambiente for alta, o compressor funcionará com mais frequência e por mais tempo, resultando em aumento do consumo de energia.

Certifique-se de que há ventilação suficiente na base, nos lados e na parte traseira do aparelho.

Observe também as dimensões de espaçamento no capítulo "Instalação".

A disposição de gavetas, prateleiras e bandejas conforme mostrado na visão geral do produto oferece o uso mais eficiente de energia e deve ser mantida o máximo possível.

Para obter um espaço de armazenamento maior (por exemplo, para alimentos refrigerados / congelados grandes), as gavetas e prateleiras do meio podem ser removidas. As gavetas e prateleiras superiores e inferiores devem ser removidas por último, se necessário.

Um compartimento de refrigeração / congelamento uniformemente preenchido contribui para um uso de energia ideal.

Deixe os alimentos quentes esfriarem antes de colocá-los no compartimento de refrigeração / congelamento. Os alimentos que já esfriaram aumentam a eficiência energética.

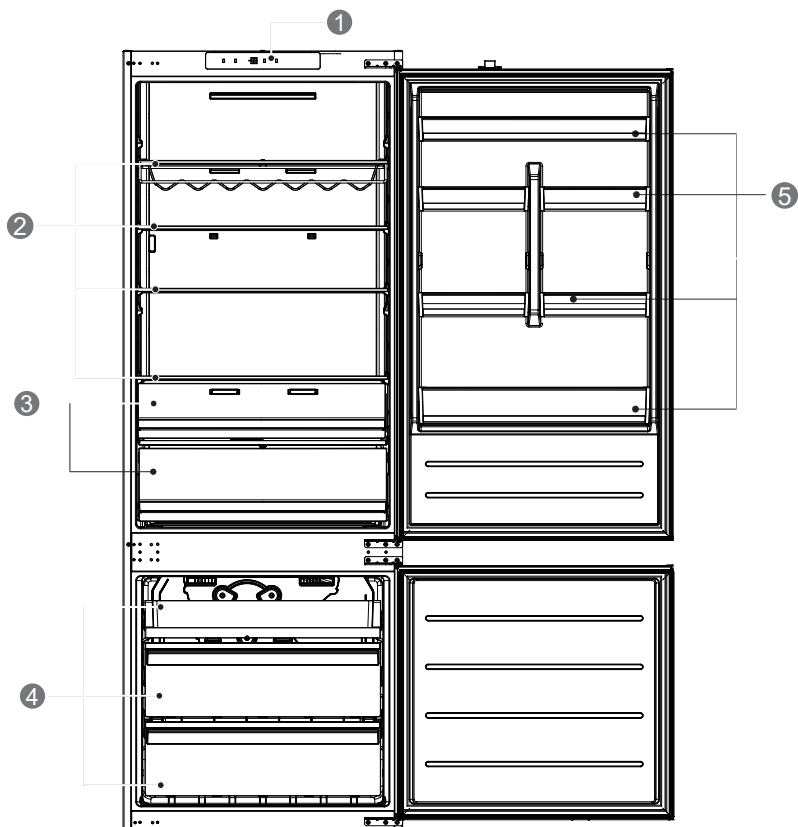
Deixe os alimentos congelados descongelarem no compartimento de refrigeração. A freezer dos alimentos congelados reduz o consumo de energia no compartimento de refrigeração e, assim, aumenta a eficiência energética.

Abra a porta apenas o tempo necessário para minimizar a perda de frio. Abrir a porta brevemente e fechá-la corretamente reduz o consumo de energia.

Definir a temperatura não mais fria do que o necessário contribui para um uso de energia ideal. As guarnições da porta do seu aparelho devem estar perfeitamente intactas para que as portas fechem corretamente e o consumo de energia não seja aumentado desnecessariamente.

# VISÃO GERAL DO PRODUTO

## Peças e funções



- |   |                           |   |                     |
|---|---------------------------|---|---------------------|
| 1 | Controlo de temperatura   | 2 | Prateleira de vidro |
| 3 | Caixa de frutas e legumes | 4 | Gaveta              |
| 5 | Tabuleiro da porta        |   |                     |

> Para a utilização mais eficiente de energia, por favor, mantenha todos os itens internos, como bandejas, gavetas, prateleiras e caixa de gelo, na posição fornecida pelo fabricante.

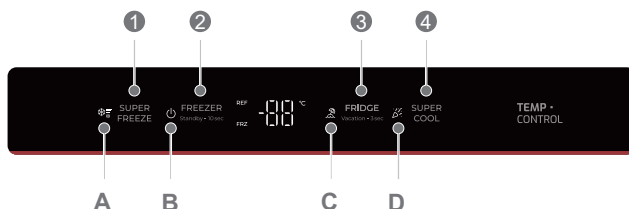
### ● ATENÇÃO

**Diferenças:** Devido a alterações técnicas e diferentes modelos, algumas das ilustrações neste manual podem diferir do seu modelo.

# INSTRUÇÕES DE OPERAÇÃO

## uso e funções

### Painel de recursos



### tela de exibição

- A Indicador de modo Super Congelação
- B Indicador de espera
- C Indicador de modo de férias
- D Indicador de modo Super Refrigeração

### Botão

- |                   |                    |
|-------------------|--------------------|
| 1 Botão SUPER FRZ | 2 Botão CONGELADOR |
| 3 Botão GELADEIRA | 4 Botão SUPER FRIO |

## ATENÇÃO

Não use objetos afiados para operar o painel de controle. Eles podem arranhar ou danificar o painel de controle.

### exibição

Quando o refrigerador é ligado pela primeira vez, a exibição é totalmente exibida por 3 segundos, o sinal sonoro de ligar ao mesmo tempo. A área de exibição digital entra na exibição de operação normal. A temperatura padrão do compartimento do refrigerador é de 5°C e a temperatura padrão do compartimento do congelador é de -20°C.

Ao ajustar a temperatura ou definir o modo, a configuração entra em vigor após 15 segundos sem operação, e a área de exibição digital se apaga após mais 15 segundos sem operação.

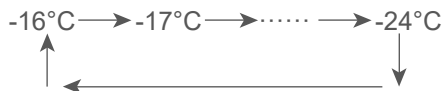
Quando a área de visualização digital se apaga, abrir a porta do compartimento do frigorífico ou pressionar qualquer botão pode iluminar a área de visualização digital.

### Configuração de temperatura

Pressione o botão FRIDGE para ajustar a temperatura do compartimento do frigorífico. A área de visualização digital mostra a temperatura definida para o compartimento do frigorífico (2 - 8°C). Cada vez que pressionar o botão, o valor da temperatura é reduzido em 1°C. Depois de atingir a temperatura mais baixa, pressione novamente o botão para ciclar até à temperatura mais alta.



Pressione o botão do CONGELADOR para ajustar a temperatura do compartimento do congelador. A área de exibição digital mostra a temperatura definida do compartimento do congelador (-24 - -16°C). Cada vez que pressionar o botão, o valor da temperatura é reduzido em 1°C. Após atingir a temperatura mais baixa, pressione o botão novamente para ciclar para a temperatura mais alta.



### modo de espera

Pressione e segure o botão do CONGELADOR por 10 segundos para entrar no modo de espera, e o indicador de Espera acende, os outros apagam. O refrigerador para de funcionar.

No modo de espera, pressione e segure o botão do CONGELADOR por 10 segundos para sair do modo de espera, e a área de exibição digital retorna ao estado de exibição antes de o modo de espera ser definido.

### modo super cool

Pressione o botão de SUPER COOL para entrar no modo de super cool, e o indicador do Modo de Super cool acende. A área de exibição digital mostra 2°C.

No modo de super cool, após pressionar o botão SUPER COOL ou o botão do REFRIGERADOR ou após 6 horas de funcionamento, o indicador do Modo de Super cool se apaga e o modo de super cool é encerrado, a temperatura definida da câmara de refrigeração retornará automaticamente para aquela definida antes de entrar no modo Super cool.

### modo super congelamento

Pressione o botão SUPPER FRZ para entrar no modo super congelamento, o indicador do modo Super congelamento acende e a área de exibição digital mostra -24°C.

No modo super congelamento, pressione o botão SUPPER FRZ ou o botão FREEZER ou aguarde 40 horas, o indicador do modo Super congelamento se apaga e o modo super congelamento é encerrado, a temperatura definida da câmara do congelador retornará automaticamente para a configuração anterior à entrada no modo Super congelamento.

### modo de férias

Pressione e segure o botão FRIDGE por 3s para entrar no modo de férias e o indicador do modo de férias acende. O compartimento do refrigerador é fechado e a área de exibição digital mostra "--". O compartimento do congelador é ajustado para -20°C. O ajuste de temperatura não está disponível e o modo de super resfriamento/super congelamento não pode ser configurado.

Pressione e segure o botão FRIDGE por 3s, o indicador do modo de férias se apaga e o modo de férias é encerrado. A área de exibição digital retorna ao estado de exibição antes de o modo de férias ser configurado.

## alarme de tempo limite da porta aberta

Quando a porta do compartimento do refrigerador fica aberta por 120s sem fechar, o alarme sonoro é acionado. Feche a porta ou pressione qualquer botão para desativar o alarme.

## Indicação de falha

As seguintes advertências que aparecem no visor indicam falhas correspondentes do refrigerador. Embora o refrigerador ainda possa ter função de congelamento com as falhas a seguir, o usuário deve contatar um especialista em manutenção para garantir o uso normal do refrigerador.

<b>Código de falha</b>	<b>Descrição da falha</b>
E1	Falha do sensor de temperatura do compartimento do refrigerador
E2	Falha do sensor de temperatura do compartimento do congelador
E5	Falha do sensor de gelo do congelador
E6	Falha de comunicação da placa principal de controle e da placa de exibição
E7	Falha do sensor de temperatura ambiente
L4	Falha de velocidade anormal do ventilador de congelamento
L5	Falha do ventilador do condensador
L6	Falha de velocidade anormal do ventilador do condensador

## Armazenar alimentos

### Compartimento do congelador

O compartimento do congelador é designado para o congelamento de alimentos em baixa temperatura, armazenamento de alimentos congelados a longo prazo e para a produção de cubos de gelo.

Preste atenção às classificações de estrelas (4 estrelas, 2 estrelas e 1 estrela) no compartimento do congelador e aos períodos de armazenamento resultantes para alimentos congelados.

Não coloque alimentos frescos e congelados lado a lado. Os alimentos congelados podem descongelar.

Ao congelar grandes quantidades de alimentos frescos (como carne, peixe ou carne picada), divida-os em várias pequenas peças antes de colocá-los, para que possam ser congelados rapidamente e retirados facilmente.

Cumpra os tempos de armazenamento recomendados pelos fabricantes de alimentos nas embalagens, se não houver informações na embalagem, os alimentos não devem ser armazenados congelados por mais de três meses a partir da data de compra.

Ao comprar alimentos congelados, certifique-se de que foram congelados a uma temperatura adequada e que a embalagem não está danificada.

Os alimentos congelados devem ser mantidos em embalagens individuais adequadas para garantir que os alimentos adjacentes não sejam contaminados. Consuma imediatamente os alimentos descongelados, não os volte a congelar.

Em caso de falha prolongada de energia ou mau funcionamento do aparelho, remova os alimentos congelados armazenados e verifique se ainda são comestíveis, depois armazene-os em um local suficientemente fresco ou em outro aparelho.

Para descongelar alimentos, retire-os do freezer e deixe-os descongelar à temperatura ambiente ou na geladeira. Para descongelar alimentos rapidamente, você pode usar a função de descongelamento no seu micro-ondas, por exemplo.

Se você quiser descongelar apenas parte de um pacote, remova a porção necessária e feche imediatamente o restante do pacote. Dessa forma, você evitará a formação de gelo nos alimentos restantes e reduzirá a queimadura do freezer.

### Compartimento de refrigeração

Para reduzir a umidade e o subsequente acúmulo de gelo, nunca coloque líquidos no compartimento da geladeira em recipientes não selados.

O gelo tende a se concentrar nas partes mais frias do evaporador. Armazenar líquidos sem cobertura resulta em uma necessidade mais frequente de descongelamento.

Nunca coloque alimentos quentes no compartimento da geladeira. Estes devem primeiro arrefecer à temperatura ambiente e depois ser colocados de forma a garantir uma circulação de ar adequada no compartimento do frigorífico.

Alimentos ou recipientes de alimentos não devem tocar a parede traseira da geladeira, pois podem congelar na parede. Não fique abrindo regularmente a porta da geladeira.

Carne e peixe limpo (embalado em pacote ou filme plástico) podem ser colocados no compartimento da geladeira, que pode ser usado em 1-2 dias.

Frutas e legumes sem embalagem podem ser colocados na parte designada para frutas e legumes frescos.

### ATENÇÃO

O armazenamento de alimentos em excesso durante a operação após a conexão inicial à energia pode afetar adversamente o efeito de congelamento da geladeira.

### Tempos de armazenamento e temperatura

Nota: O armazenamento prolongado ou em temperatura de congelamento inadequada pode causar perda de qualidade ou alimentos estragados, o que causa desperdício de alimentos, é ineditável e pode causar intoxicação alimentar. A temperatura mínima na maioria dos casos deve ser de -18°C ou mais fria.

Siga os tempos máximos recomendados de armazenamento abaixo:

- > Ensopados, sorvetes, salsichas, pão: 2-6 meses.
- > Peixe, camarão, cordeiro, carne: 4-8 meses.
- > Legumes, frutas, aves, carne bovina: 6-12 meses.

# MANUTENÇÃO E LIMPEZA



## CUIDADO

Desconecte o aparelho da fonte de alimentação elétrica antes de realizar qualquer manutenção de rotina. Aguarde pelo menos 5 minutos antes de reiniciar o aparelho, pois a partida frequente pode danificar o compressor.

Segure o plugue, não o cabo, ao desconectar o aparelho.

Não raspe a geada e o gelo com objetos afiados. Não use sprays, aquecedores elétricos como aquecedor, secador de cabelo, limpadores a vapor ou outras fontes de calor para evitar danos às peças plásticas.

Elimine o pó na parte de trás da unidade pelo menos uma vez por ano para evitar riscos de incêndio, bem como aumento do consumo de energia.

Verifique regularmente a vedação da porta para garantir que não haja detritos. Limpe a vedação da porta com um pano macio umedecido com água com sabão ou detergente diluído.

O interior do produto deve ser limpo regularmente para evitar odores.

Use um pano macio ou esponja para limpar o interior do produto, com duas colheres de sopa de bicarbonato de sódio e um litro de água morna. Em seguida, enxágue com água e limpe. Após a limpeza, abra a porta e deixe secar naturalmente antes de ligar a energia.

Para áreas de difícil acesso no produto (como sanduíches estreitos, lacunas ou cantos), é recomendável limpá-las regularmente com um pano macio, escova macia, etc. e, quando necessário, combinado com algumas ferramentas auxiliares (como varas finas) para garantir que não haja acúmulo de contaminantes ou bactérias nessas áreas.

Não utilize sabão, detergente, pó abrasivo, limpador em spray, etc., pois estes podem causar odores no interior do produto ou alimentos contaminados.

Limpe a superfície externa do produto com um pano macio umedecido com água com sabão, detergente, etc., e depois seque. Não use escovas duras, bolas de aço limpas,

escovas de arame, abrasivos (como pastas de dentes), solventes orgânicos (como álcool, acetona, acetato de isoamila, etc.), água fervente, itens ácidos ou alcalinos, que pode danificar a superfície e o interior do frigorífico.

Água a ferver e solventes orgânicos como o benzeno podem deformar ou danificar as peças de plástico.



Não enxague diretamente com água ou outros líquidos durante a limpeza para evitar curtos-circuitos ou afetar o isolamento elétrico após a imersão.

## ATENÇÃO

O aparelho deve funcionar continuamente assim que for iniciado. Geralmente, o funcionamento do aparelho não deve ser interrompido; caso contrário, a vida útil pode ser prejudicada.

## Descongelamento

Embora este aparelho descongele automaticamente, uma camada de gelo pode ocorrer nas paredes interiores do compartimento do congelador se a porta do congelador for aberta com frequência ou mantida aberta por muito tempo. Se o gelo estiver muito espesso, escolha um momento em que o estoque de alimentos esteja baixo e proceda da seguinte forma:

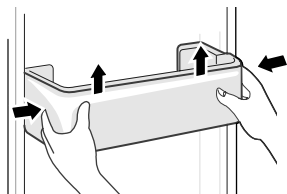
1. Remova os alimentos existentes e as cestas de acessórios, desligue o aparelho da tomada e deixe as portas abertas. Ventile bem o ambiente para acelerar o processo de descongelamento.
2. Quando o descongelamento estiver concluído, limpe o seu congelador conforme descrito acima.

**CUIDADO!** Não use objetos afiados para remover o gelo do congelador. Somente após o interior estar completamente seco, o aparelho deve ser ligado novamente e conectado à tomada.

## limpeza da bandeja da porta

De acordo com a seta de direção na figura abaixo, use ambas as mãos para apertar a bandeja e empurrá-la para cima, então você pode retirá-la.

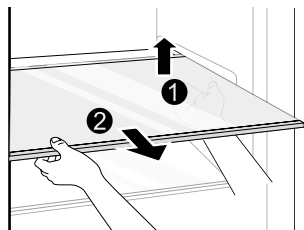
Depois de lavar a bandeja que foi retirada, você pode ajustar sua altura de instalação de acordo com sua necessidade.



## limpeza da prateleira de vidro

Como a parte mais interna do refrigerador revestimento onde as prateleiras entram em contato tem um batente, você deve levantar as prateleiras para cima, então você pode retirá-la.

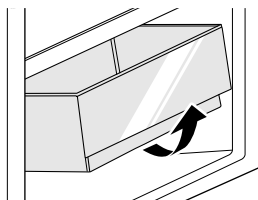
Ajuste ou limpe as prateleiras de acordo com sua necessidade.



## limpeza da gaveta de legumes

Remova o conteúdo da gaveta. Segure a alça da gaveta de legumes e puxe-a completamente até que pare.

Levante a gaveta de legumes e remova-a puxando-a para fora.



## ● ATENÇÃO

**Diferenças:** Devido a mudanças técnicas e modelos diferentes, algumas das ilustrações neste manual podem diferir do seu modelo.

# SOLUÇÃO DE PROBLEMAS

Os seguintes problemas simples podem ser resolvidos pelo usuário. Por favor, ligue para o departamento de pós-venda se os problemas não forem resolvidos.

Problem	Possíveis causas	Solução
Não funciona	<ul style="list-style-type: none"> <li>A fonte de alimentação não está ligada e o plugue não está firmemente inserido.</li> <li>Baixa voltagem, falha de energia ou parte do circuito desligada.</li> </ul>	<ul style="list-style-type: none"> <li>Insira firmemente a ficha do cabo de alimentação.</li> <li>Verifique a alimentação elétrica em casa.</li> </ul>
Luz apagada	<ul style="list-style-type: none"> <li>O aparelho não está ligado.</li> <li>A luz está queimada.</li> </ul>	<ul style="list-style-type: none"> <li>Desligue e volte a ligar o cabo de alimentação.</li> <li>Substitua a luz por uma nova.</li> </ul>
Frutas ou legumes estão congelados	<ul style="list-style-type: none"> <li>Os alimentos foram colocados na parte de trás do frigorífico? A área perto da parede de trás é onde as temperaturas são mais baixas.</li> <li>Frutas ou legumes são armazenados na zona Fresca/Frio.</li> </ul>	<ul style="list-style-type: none"> <li>Não coloque alimentos que possam congelar facilmente na parte de trás do compartimento do frigorífico.</li> <li>A zona Fresca/Frio é apenas para carne/peixe.</li> </ul>
O frigorífico/ congelador está a refrigerar em excesso.	<ul style="list-style-type: none"> <li>O controlo de temperatura não está definido corretamente.</li> </ul>	<ul style="list-style-type: none"> <li>Defina a temperatura mais alta.</li> </ul>
Compressor a funcionar por um longo período de tempo	<ul style="list-style-type: none"> <li>Temperatura ambiente elevada que causa tempo de funcionamento prolongado.</li> <li>Colocar comida demais de uma só vez.</li> <li>Colocar comida antes de esfriar.</li> <li>Abrir a porta com frequência demais.</li> <li>A camada de gelo no interior está muito espessa.</li> </ul>	<ul style="list-style-type: none"> <li>Isso é normal.</li> <li>Não coloque demasiados alimentos de uma só vez.</li> <li>Aguarde até que a comida esfrie antes de colocá-la.</li> <li>Não abra a porta com frequência demais.</li> <li>Precisa descongelar.</li> </ul>
A porta não fecha corretamente	<ul style="list-style-type: none"> <li>A porta está presa com objetos.</li> <li>Comida demais.</li> <li>Guarnição da porta deformada.</li> </ul>	<ul style="list-style-type: none"> <li>Não coloque comida demais.</li> <li>Coloque o aparelho de forma estável.</li> <li>Aqueça a guarnição da porta e depois esfrie-a para restauração (com um secador elétrico ou água quente para aquecimento).</li> </ul>
A parede externa está quente.	<ul style="list-style-type: none"> <li>Quando o aparelho está em funcionamento, o calor é dissipado para o exterior através dos tubos de metal dentro do gabinete.</li> <li>Temperaturas ambiente mais altas no verão fazem com que a temperatura da parede externa aumente.</li> </ul>	<ul style="list-style-type: none"> <li>Temperatura mais alta na parede externa é normal.</li> <li>Aumente o espaço de dissipação de calor ou coloque o aparelho em um local ventilado e fresco.</li> </ul>
As vigas cruzadas ou verticais estão quentes	<ul style="list-style-type: none"> <li>Existem tubos de metal dentro das vigas, e o calor liberado pelos tubos impede a condensação.</li> </ul>	<ul style="list-style-type: none"> <li>Isso é normal.</li> </ul>
Odores	<ul style="list-style-type: none"> <li>Alimentos estragados</li> <li>Alimentos com odores fortes</li> <li>O compartimento interior está sujo.</li> </ul>	<ul style="list-style-type: none"> <li>Limpe e remova qualquer alimento estragado.</li> <li>Certifique-se de que alimentos com cheiro forte estejam embalados hermeticamente.</li> <li>Limpe o compartimento interior.</li> </ul>
A condensação formase no exterior	<ul style="list-style-type: none"> <li>A condensação pode se formar quando a umidade na sala está alta.</li> </ul>	<ul style="list-style-type: none"> <li>Isso é normal. Limpe a condensação com um pano seco.</li> </ul>

Problem	Possíveis causas	Solução
A condensação se forma dentro da geladeira e das gavetas	<ul style="list-style-type: none"> <li>• A geladeira mantém uma alta umidade para manter legumes e outros alimentos frescos.</li> <li>• A humidade está demasiado alta na sala e as portas têm sido abertas com frequência.</li> <li>• As juntas da porta não estão apertadas.</li> </ul>	<ul style="list-style-type: none"> <li>• Limpe a condensação com um pano seco.</li> <li>• Não abra as portas com frequência ou não as mantenha abertas por muito tempo.</li> <li>• Verifique a junta da porta, limpe ou corrija a posição.</li> </ul>

**Podem ser ouvidos certos sons durante o uso normal do refrigerador, que não afetam o seu correto funcionamento.**

#### **Sons, que podem ser facilmente evitados:**

- > Ruído causado pelo aparelho que não está nivelado - ajuste a posição com os pés ajustáveis na frente. Alternativamente, coloque almofadas feitas de material macio sob os rolos traseiros, especialmente quando o aparelho estiver colocado em azulejos.
- > Ao tocar no móvel adjacente - afaste o refrigerador.
- > Rangido das gavetas ou prateleiras - retire e volte a colocar a gaveta ou prateleira.
- > Sons de garrafas a bater - afaste as garrafas.

Os sons ouvidos durante o uso normal são principalmente devido à operação do compressor (ligar) e do sistema de refrigeração (expansão térmica e contração do radiador causada pelo fluxo do agente de refrigeração).

#### **nota:**

- > O consumo de energia especificado é baseado em uma profundidade de armário de 575 mm. O produto também funciona normalmente em uma profundidade de armário inferior a 570 mm, o que consome mais energia.

#### **reivindicação de intervalo de descongelção**

Temperatura ambiental	Intervalo entre dois ciclos de descongelção	Tempo	condições específicas
32C	Mínimo de dois intervalos de descongelção ( $\Delta$ td-min)	12h	Uso intenso, abertura frequente de portas
	Máximo de dois intervalos de descongelção ( $\Delta$ td-max)	96h	Sob condições de baixa umidade, não há ação de abertura de porta e nenhum modo especial é definido

# APÊNDICE

## Especial para novo padrão europeu

As peças solicitadas na tabela a seguir podem ser adquiridas pelo canal do provedor de serviços

Peça solicitada	Fornecido por	Tempo mínimo necessário para fornecimento
Termostatos	Pessoal de manutenção profissional	Pelo menos 7 anos após o lançamento do último modelo no mercado
Sensores de temperatura	Pessoal de manutenção profissional	Pelo menos 7 anos após o lançamento do último modelo no mercado
Placas de circuito impresso	Pessoal de manutenção profissional	Pelo menos 7 anos após o lançamento do último modelo no mercado
Fontes de luz	Pessoal de manutenção profissional	Pelo menos 7 anos após o lançamento do último modelo no mercado
Maçanetas de porta	Reparadores profissionais e usuários finais	Pelo menos 7 anos após o lançamento do último modelo no mercado
Dobradiças de porta	Reparadores profissionais e usuários finais	Pelo menos 7 anos após o lançamento do último modelo no mercado
Bandejas	Reparadores profissionais e usuários finais	Pelo menos 7 anos após o lançamento do último modelo no mercado
Cestos	Reparadores profissionais e usuários finais	Pelo menos 7 anos após o lançamento do último modelo no mercado
Gaxetas de porta	Reparadores profissionais e usuários finais	Pelo menos 10 anos após o lançamento do último modelo no mercado

### Caro cliente

1. Se desejar devolver ou substituir o produto, entre em contato com a loja onde o comprou. (Lembre-se de trazer a fatura de compra)
2. Se o seu produto avariar e precisar de reparação, entre em contato com o prestador de serviços pós-venda.

### ATENÇÃO

As informações do modelo no banco de dados do produto, bem como o identificador do modelo, podem ser obtidos por meio de um link da web escaneado por um código QR, se houver, no rótulo de eficiência energética do produto.

Para obter mais informações sobre a eficiência energética do aparelho, visite <https://eprel.ec.europa.eu> e pesquise usando o nome do modelo.

O nome do modelo pode ser encontrado no rótulo de classificação do aparelho.







[www.teka.com](http://www.teka.com)